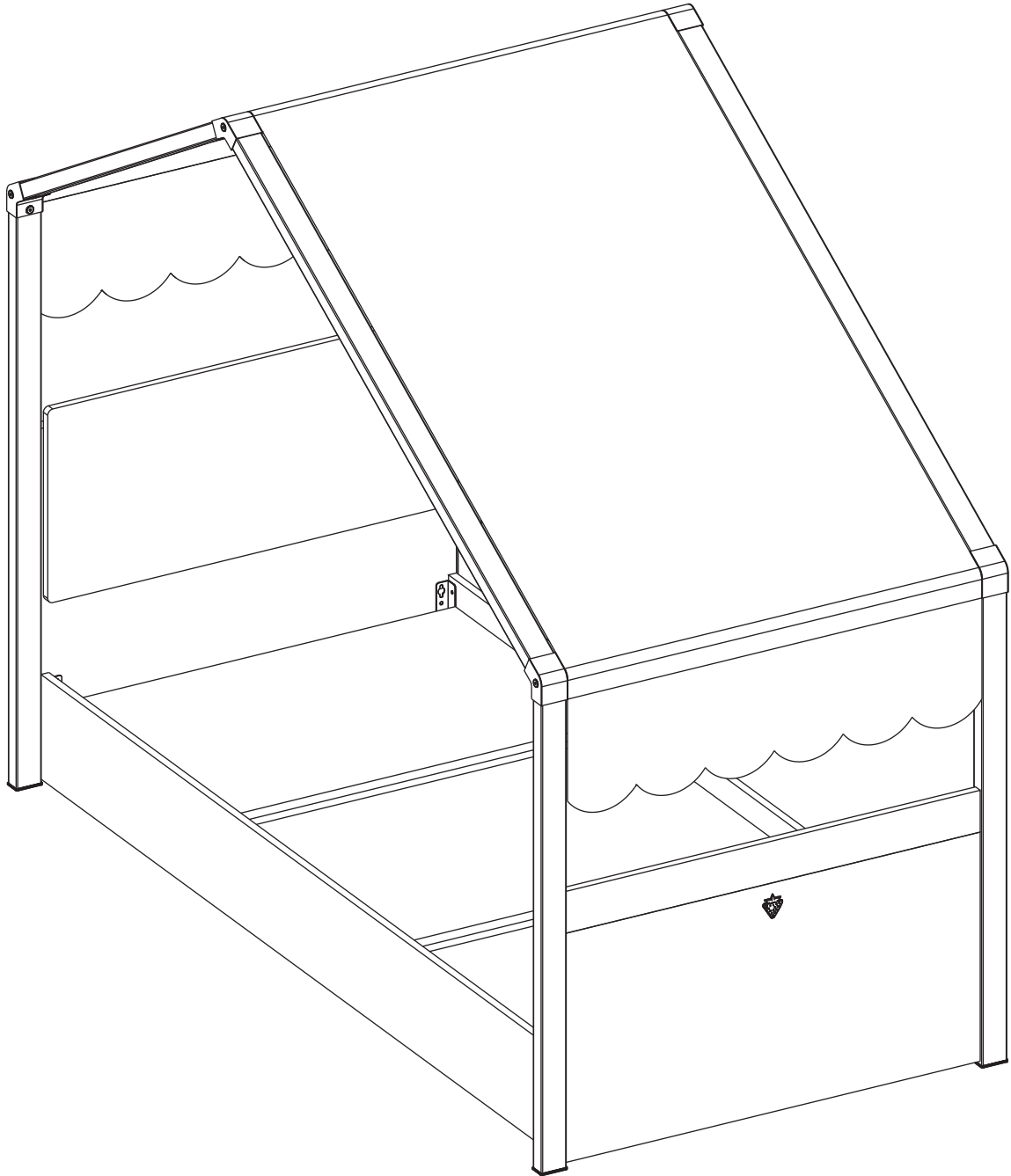
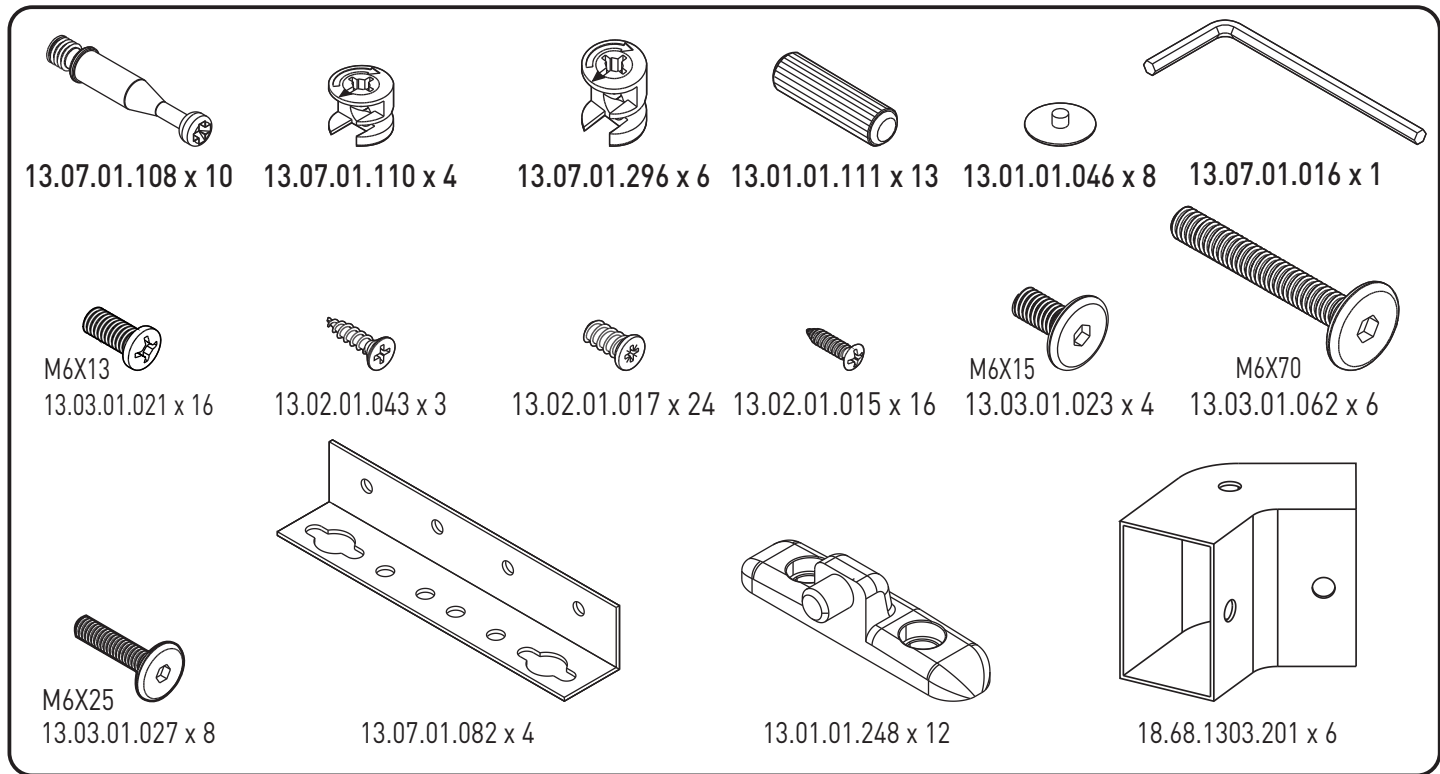
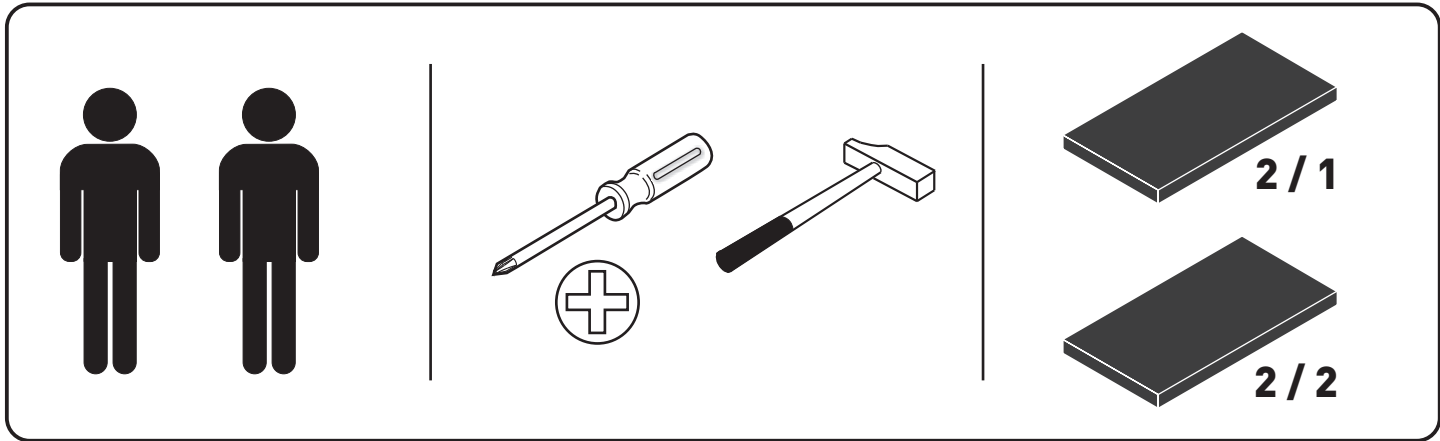
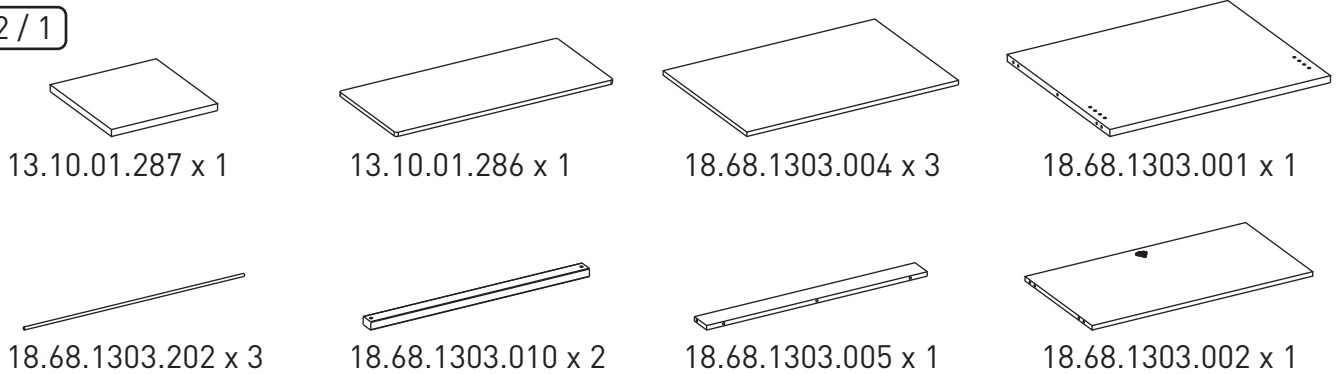


**20.68.1303.00**

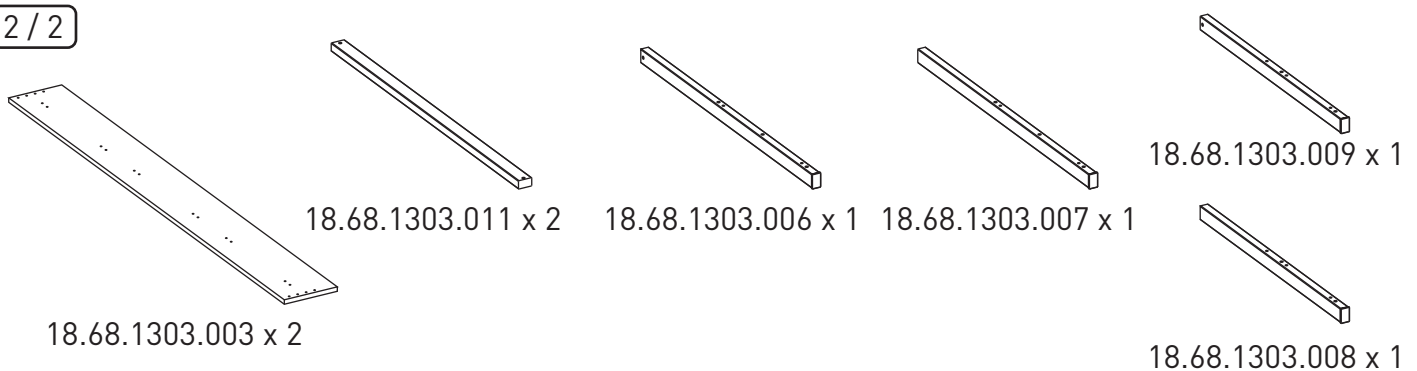




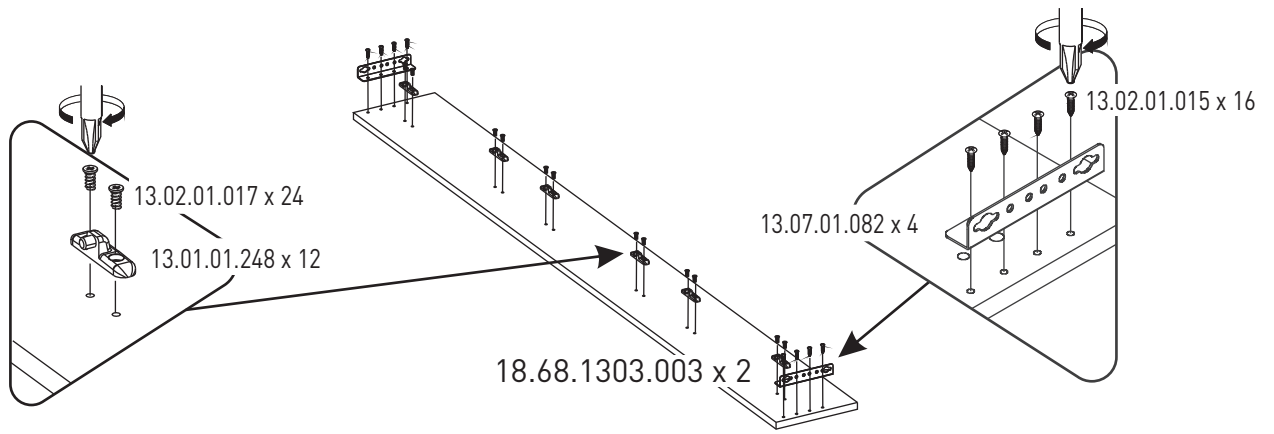
2/1



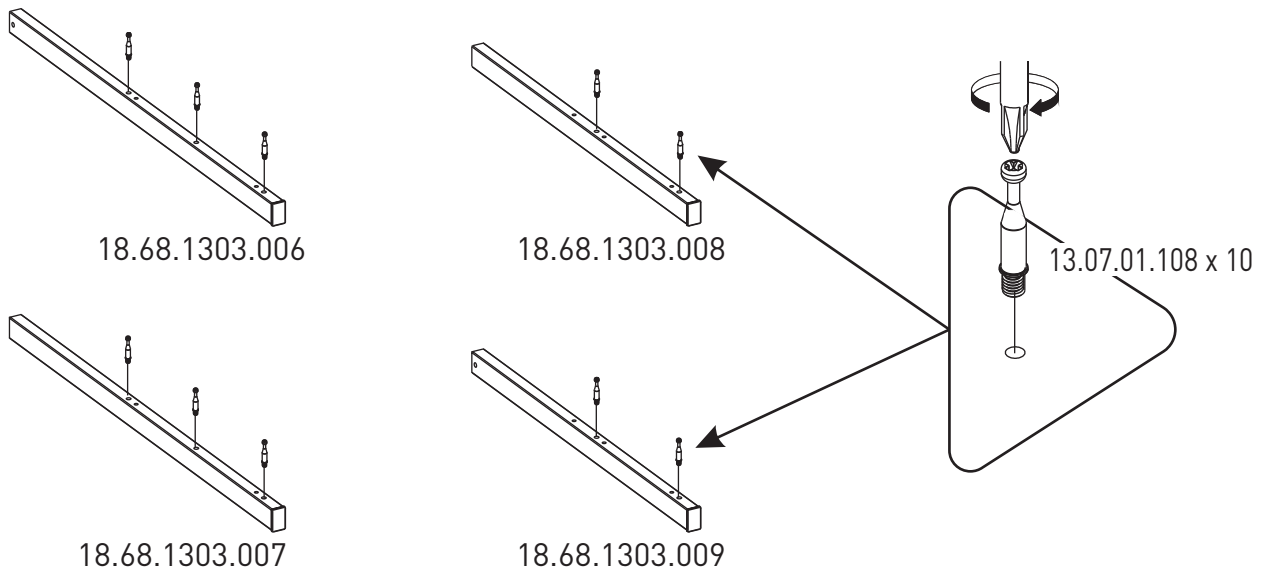
2/2



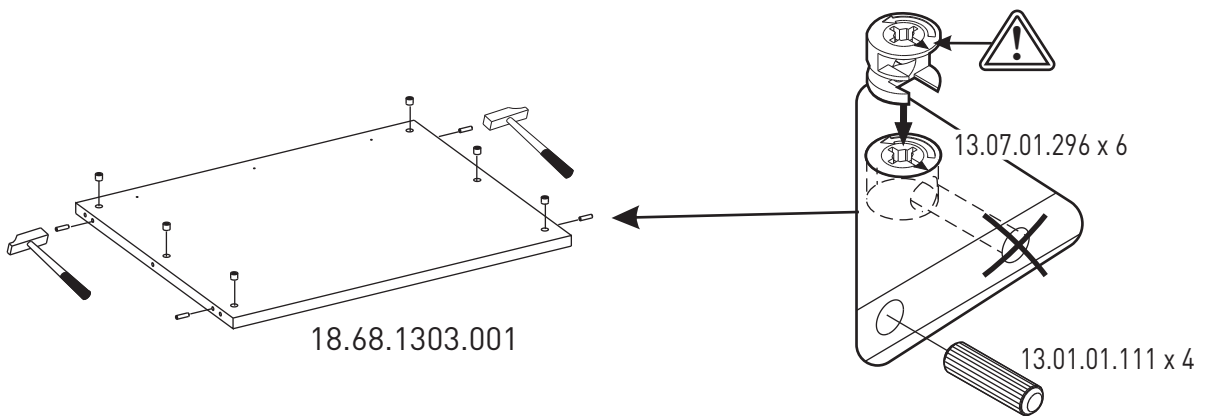
1



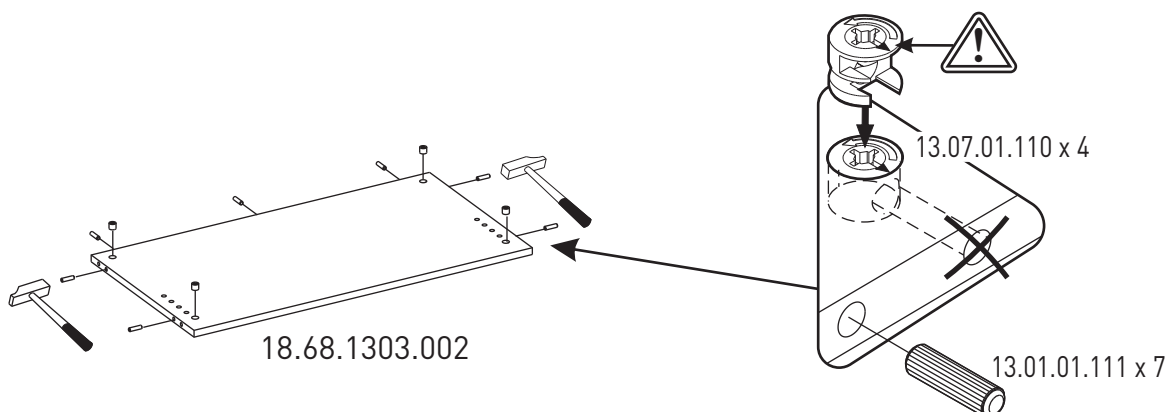
2



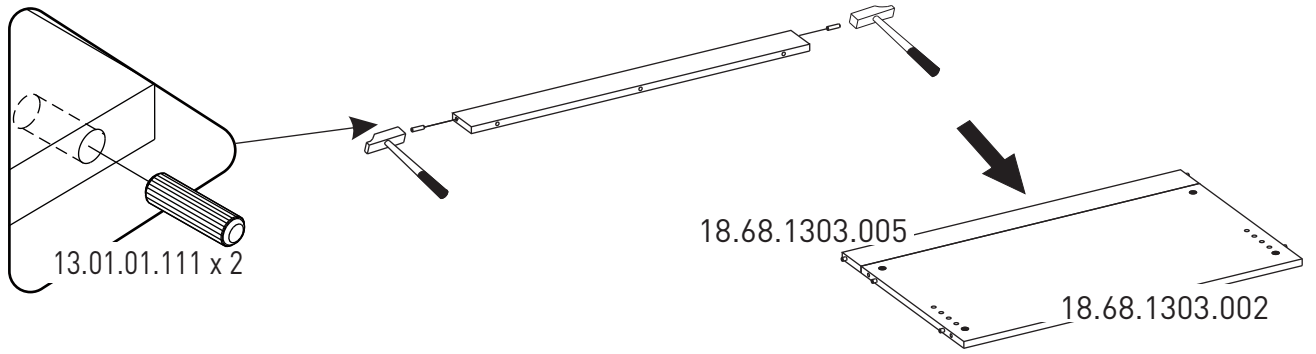
3



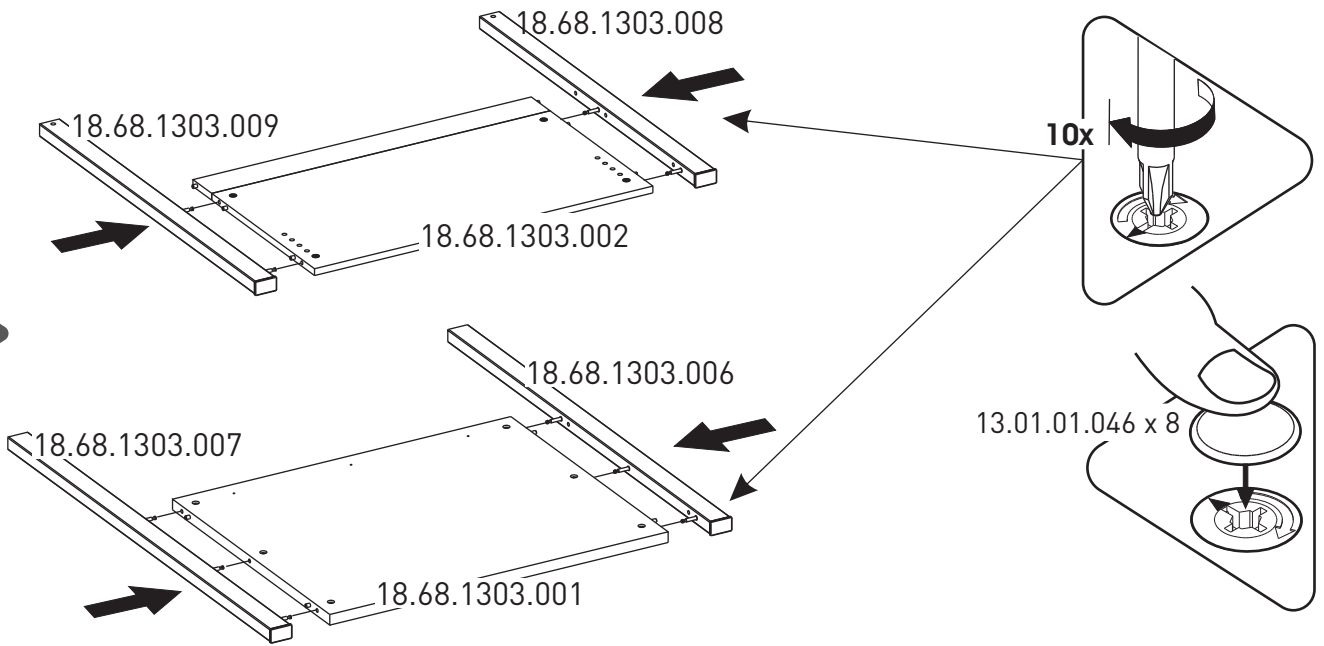
4



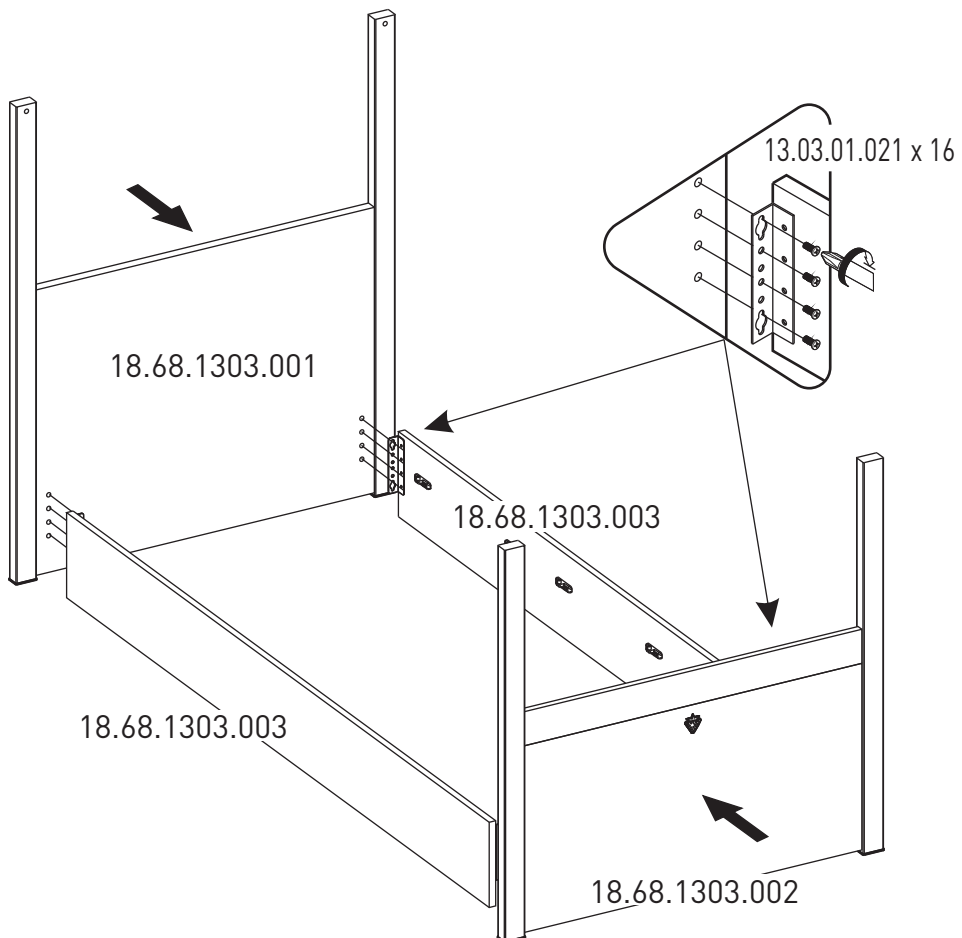
5



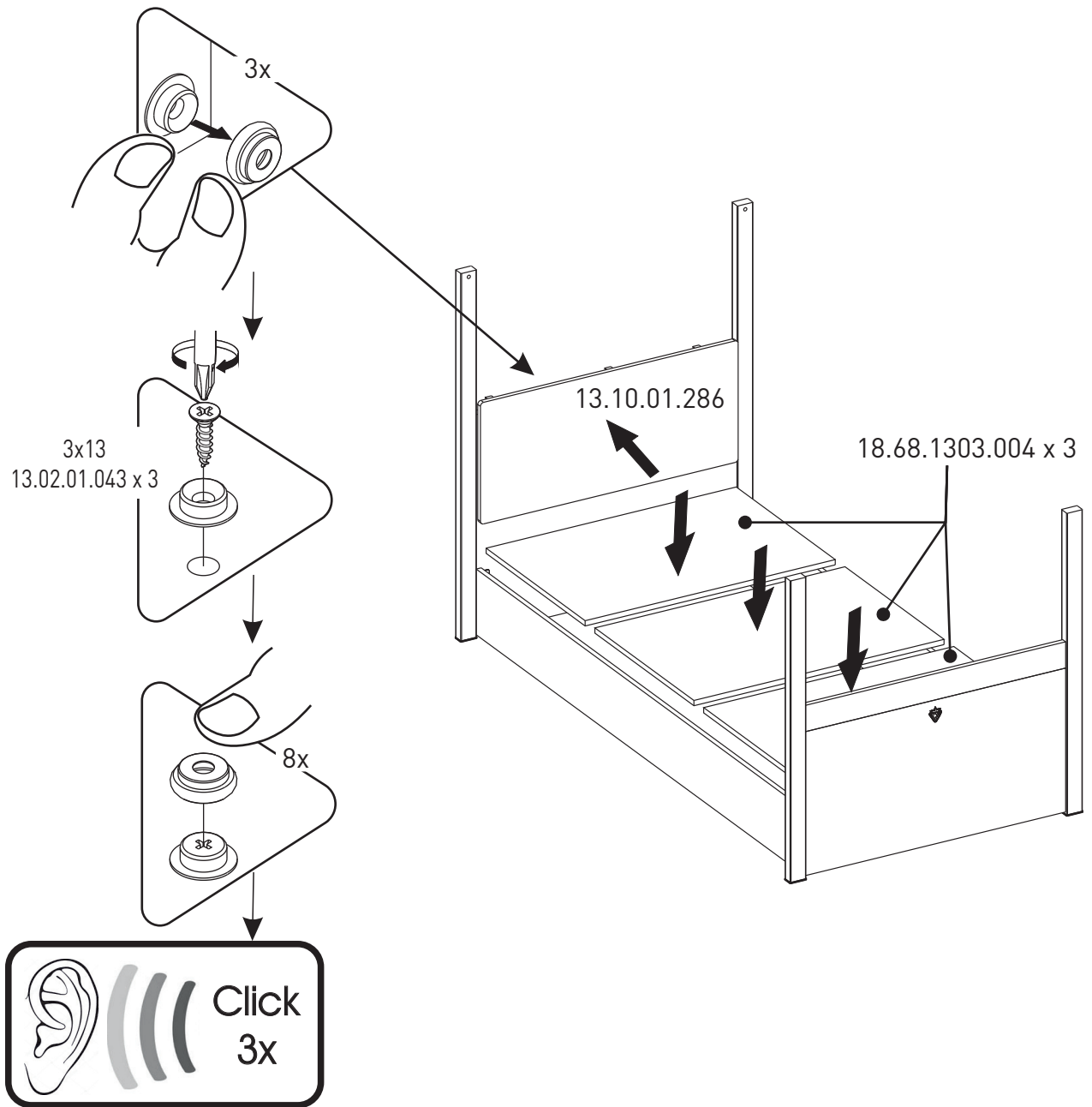
6



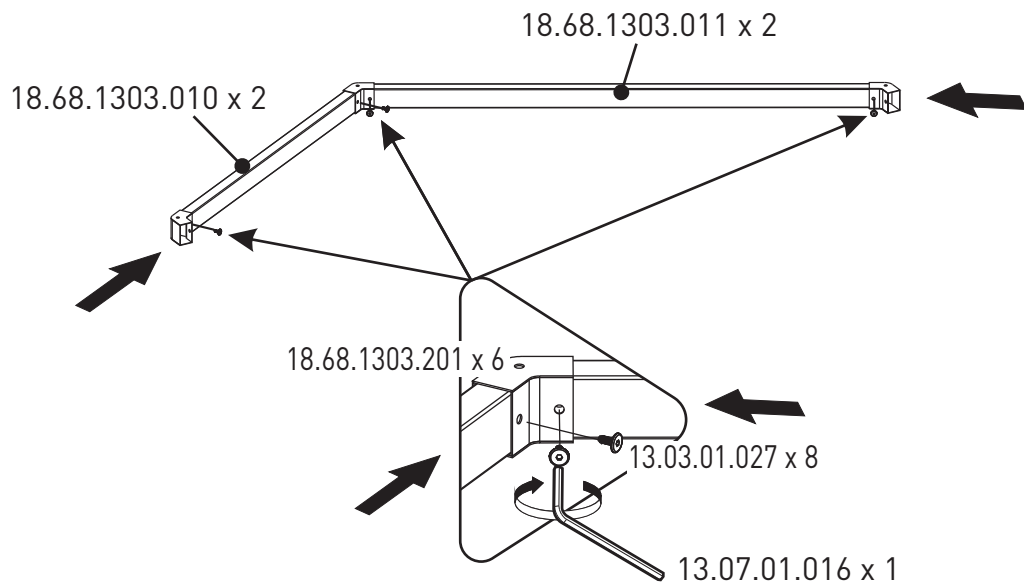
7



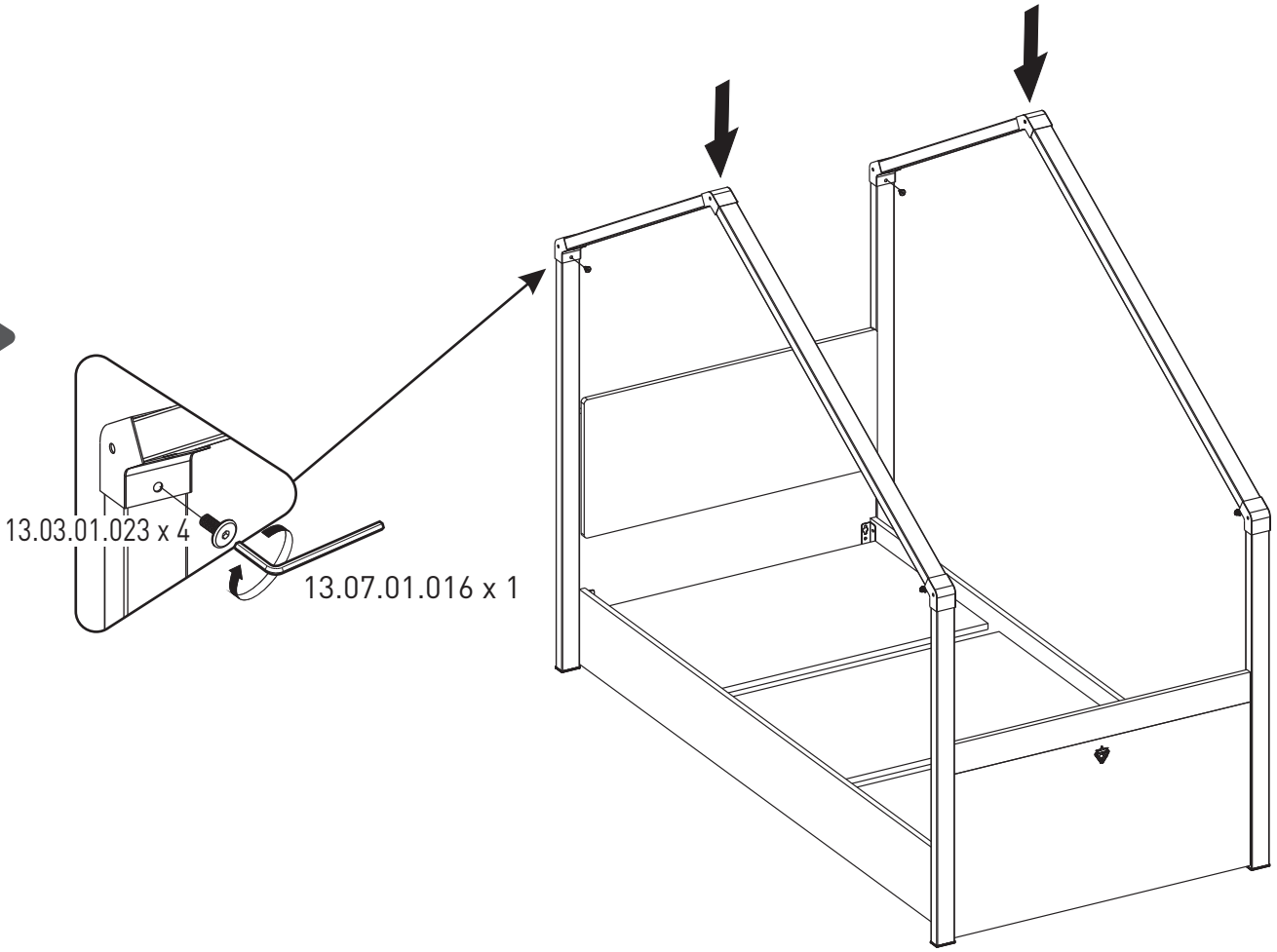
8



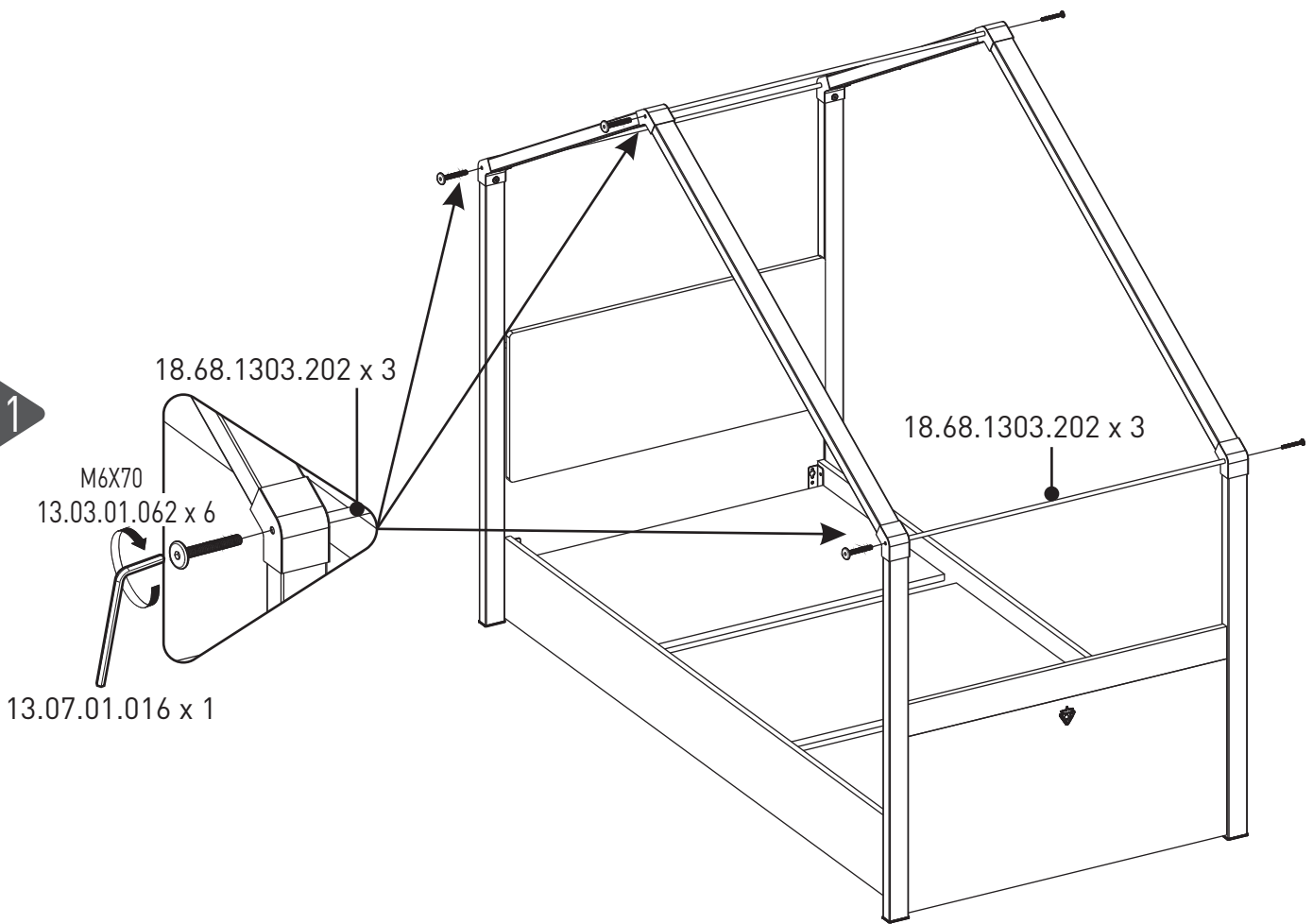
9



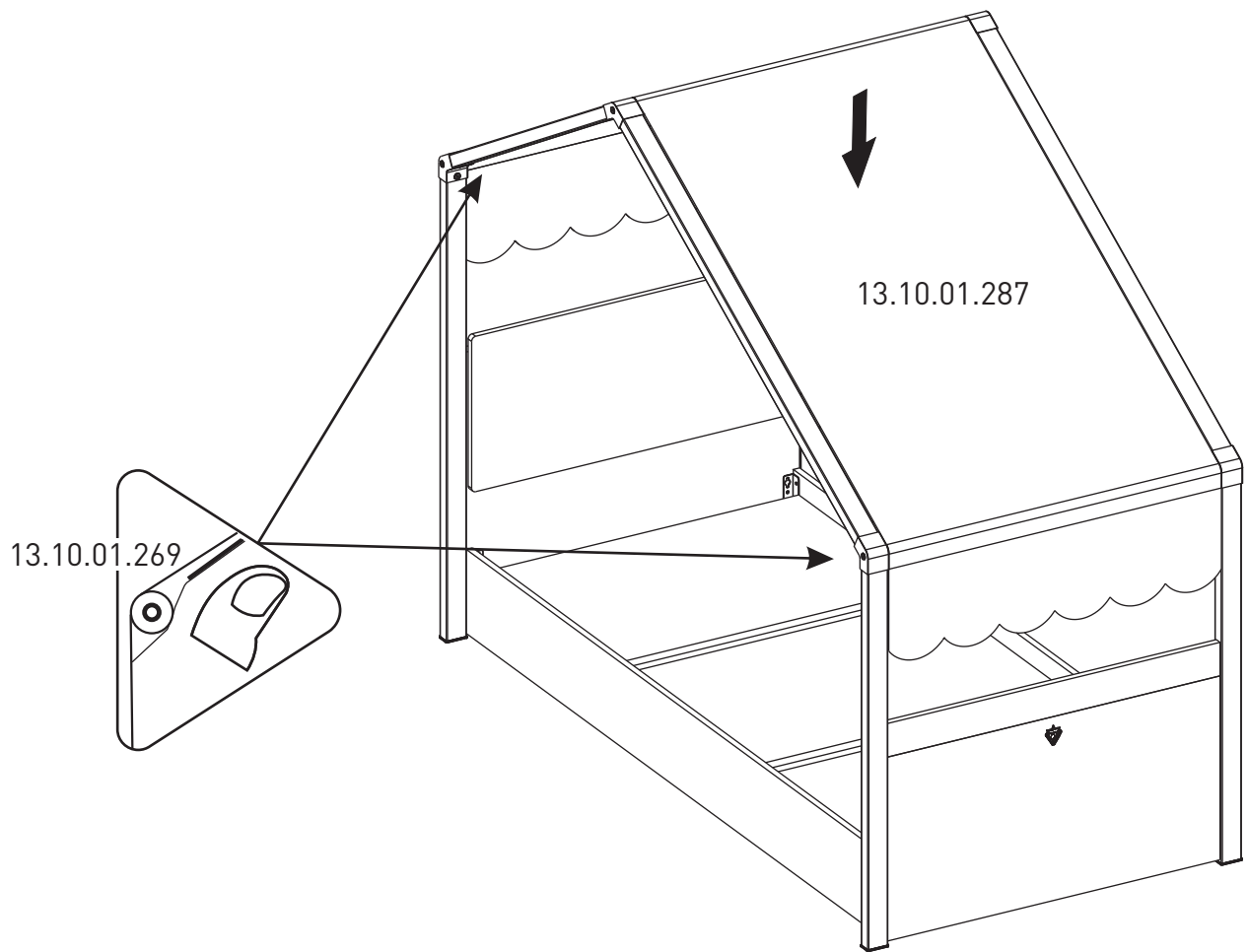
10



11



12



i

