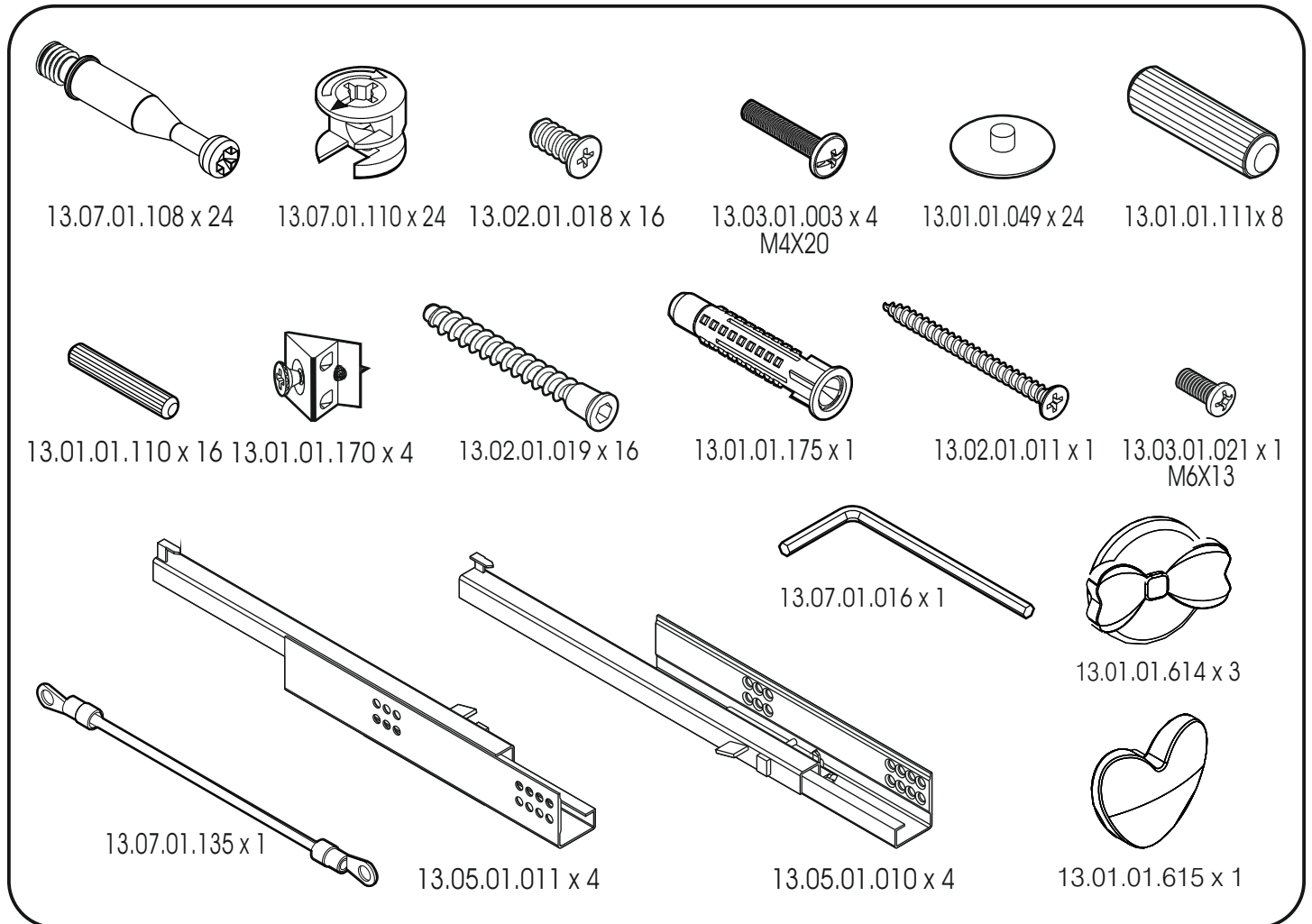
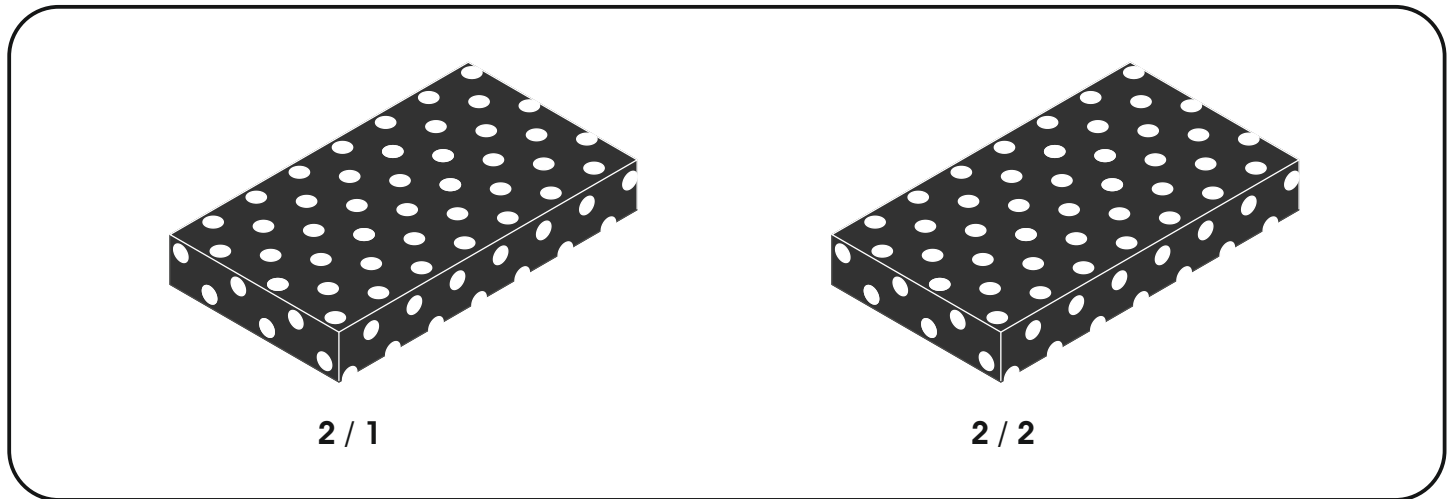
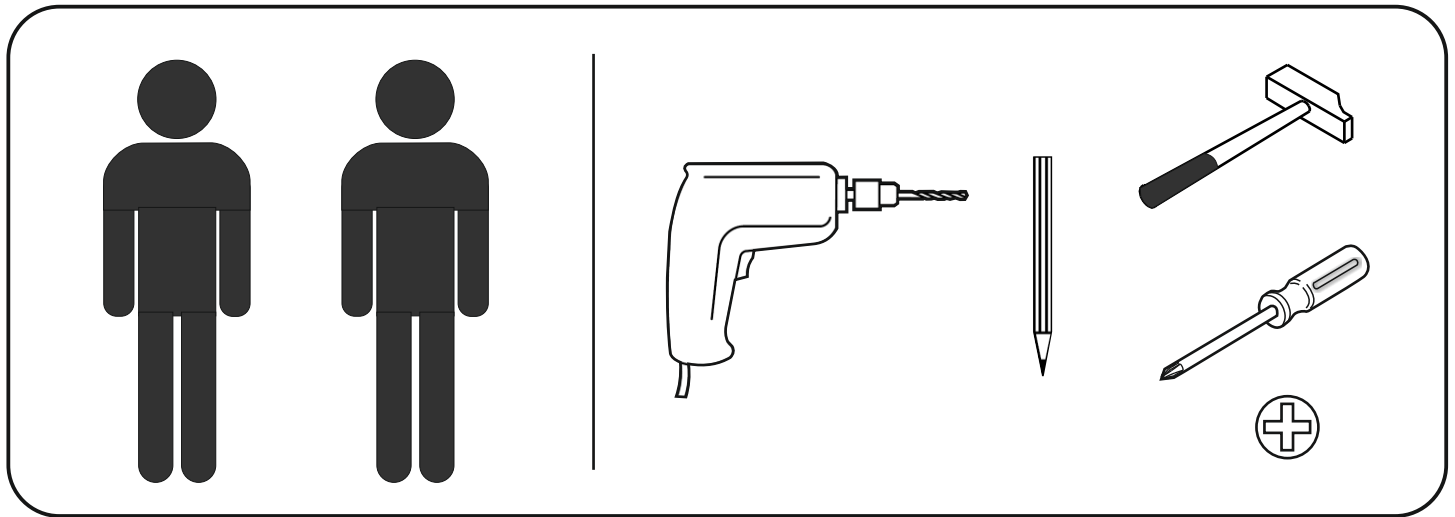
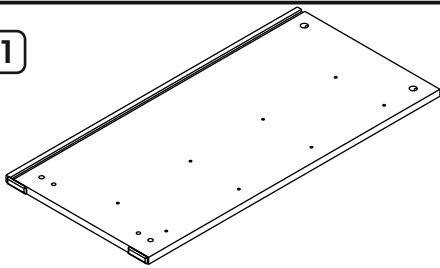


20.42.1203.00

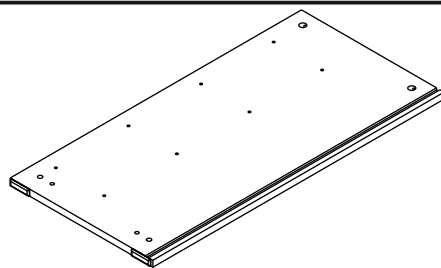




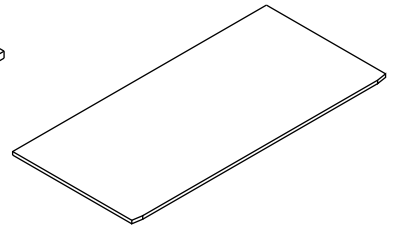
2 / 1



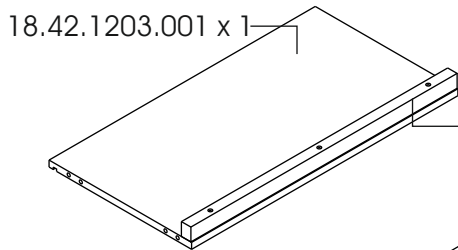
18.42.1203.005 x 1



18.42.1203.003 x 1

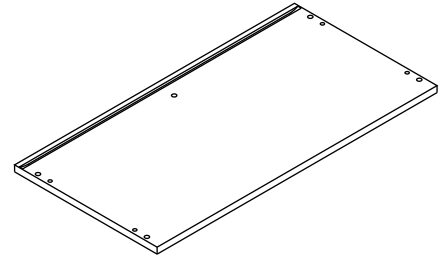


18.42.1203.011 x 4



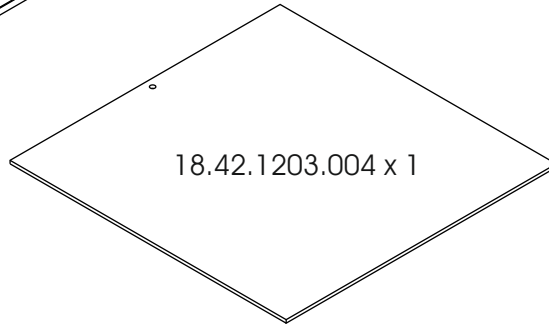
18.42.1203.001 x 1

18.42.1203.002 x 1

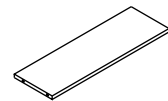


18.42.1203.006 x 1

18.42.1203.020 x 1

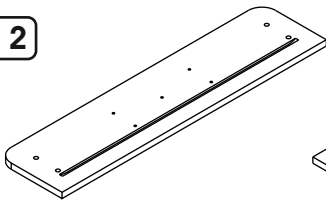


18.42.1203.004 x 1

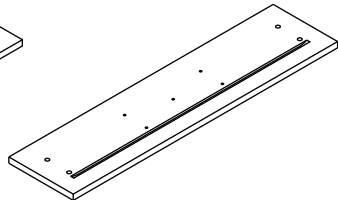


18.42.1203.010 x 4

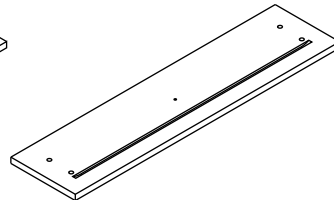
2 / 2



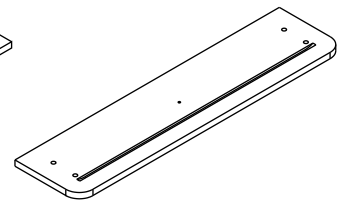
18.42.1203.007 x 1



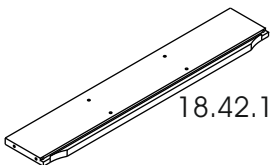
18.42.1203.013 x 1



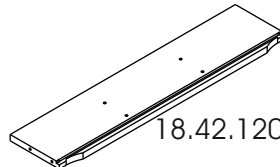
18.42.1203.017 x 1



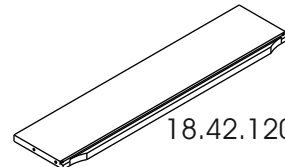
18.42.1203.019 x 1



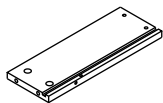
18.42.1203.012 x 1



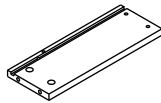
18.42.1203.016 x 1



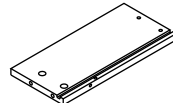
18.42.1203.018 x 2



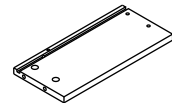
18.42.1203.008 x 1



18.42.1203.009 x 1

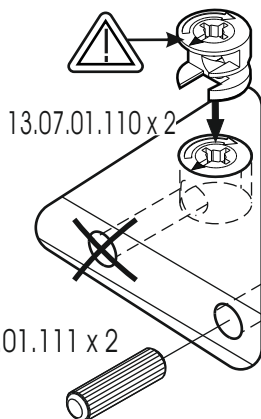


18.42.1203.014 x 3



18.42.1203.015 x 3

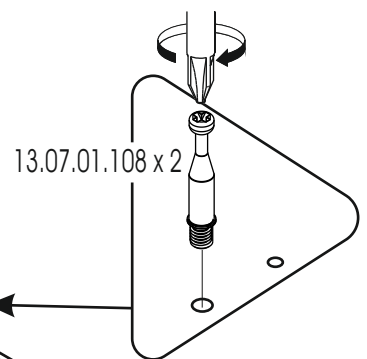
1



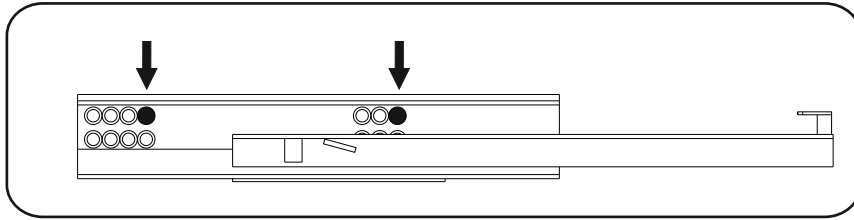
13.07.01.110 x 2

13.01.01.111 x 2

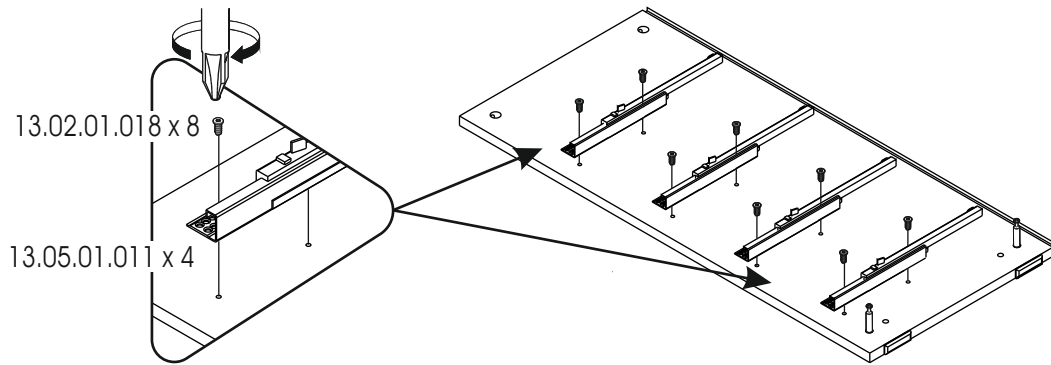
18.42.1203.003



13.07.01.108 x 2

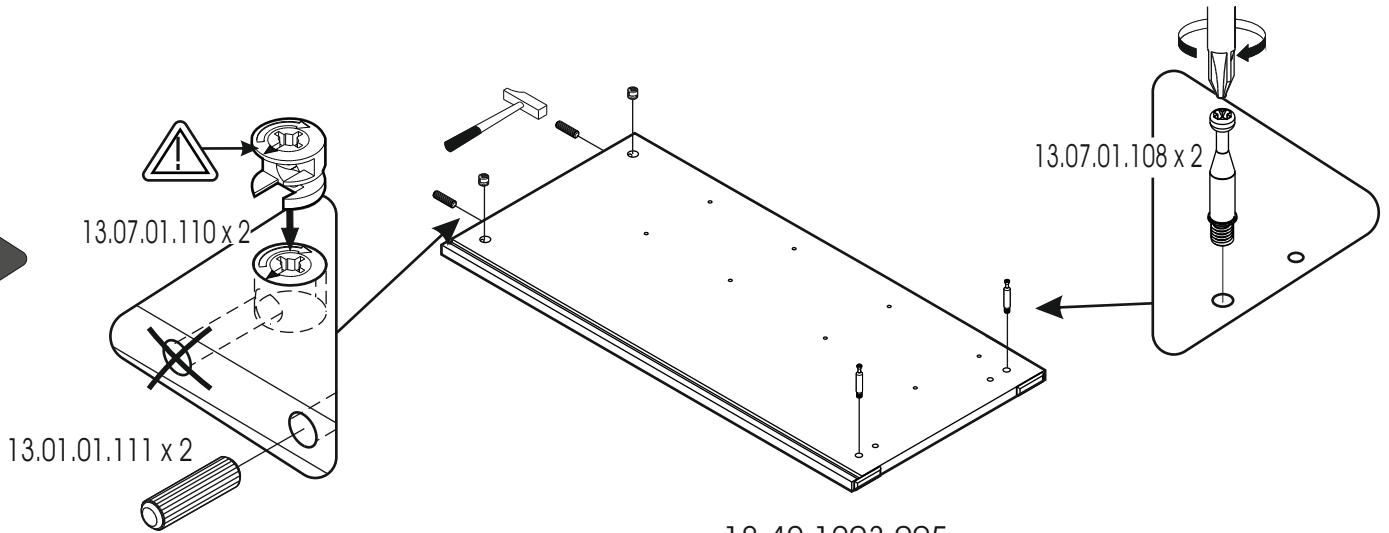


2

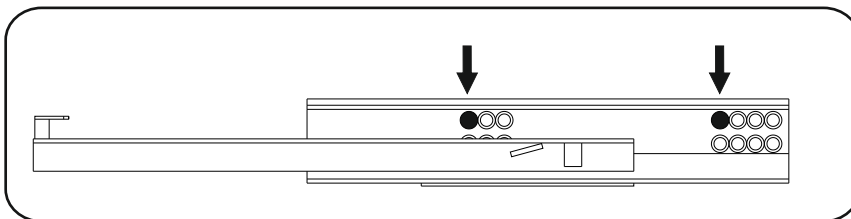


18.42.1203.003

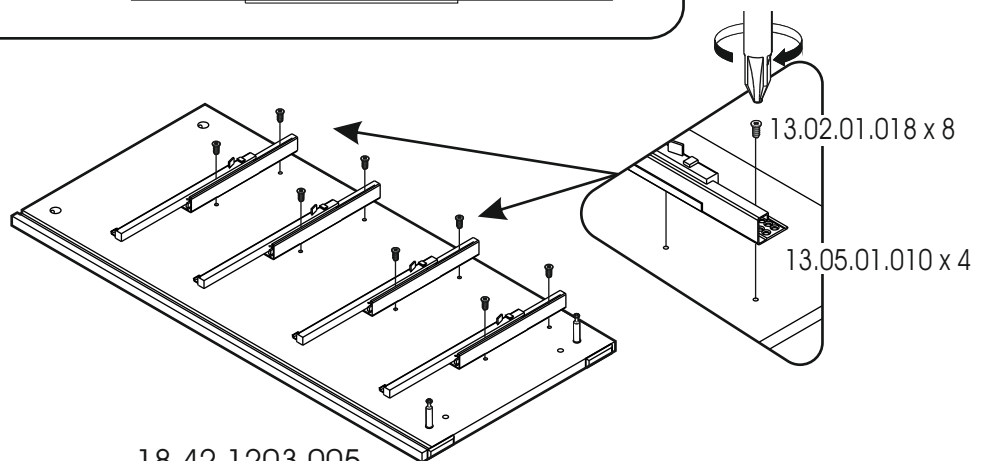
3



18.42.1203.005

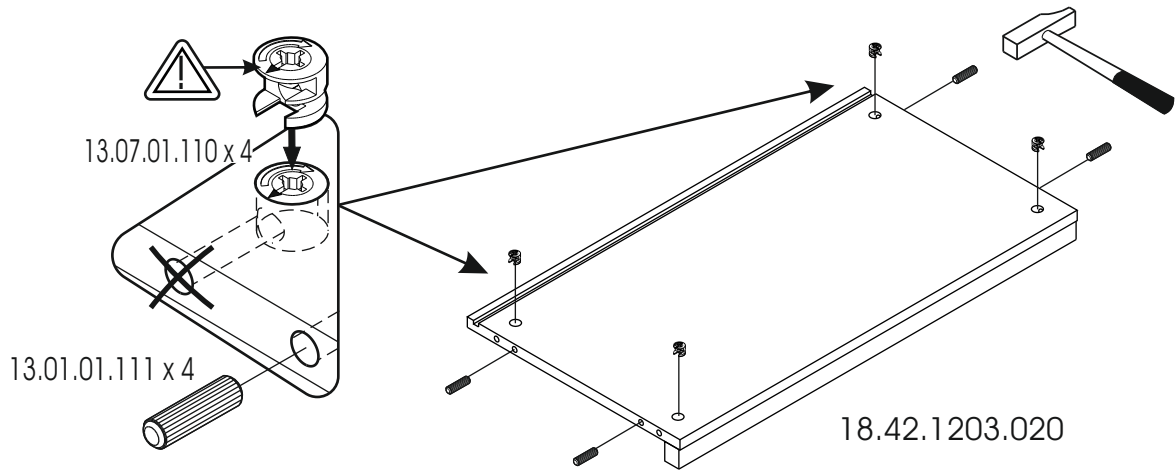


4

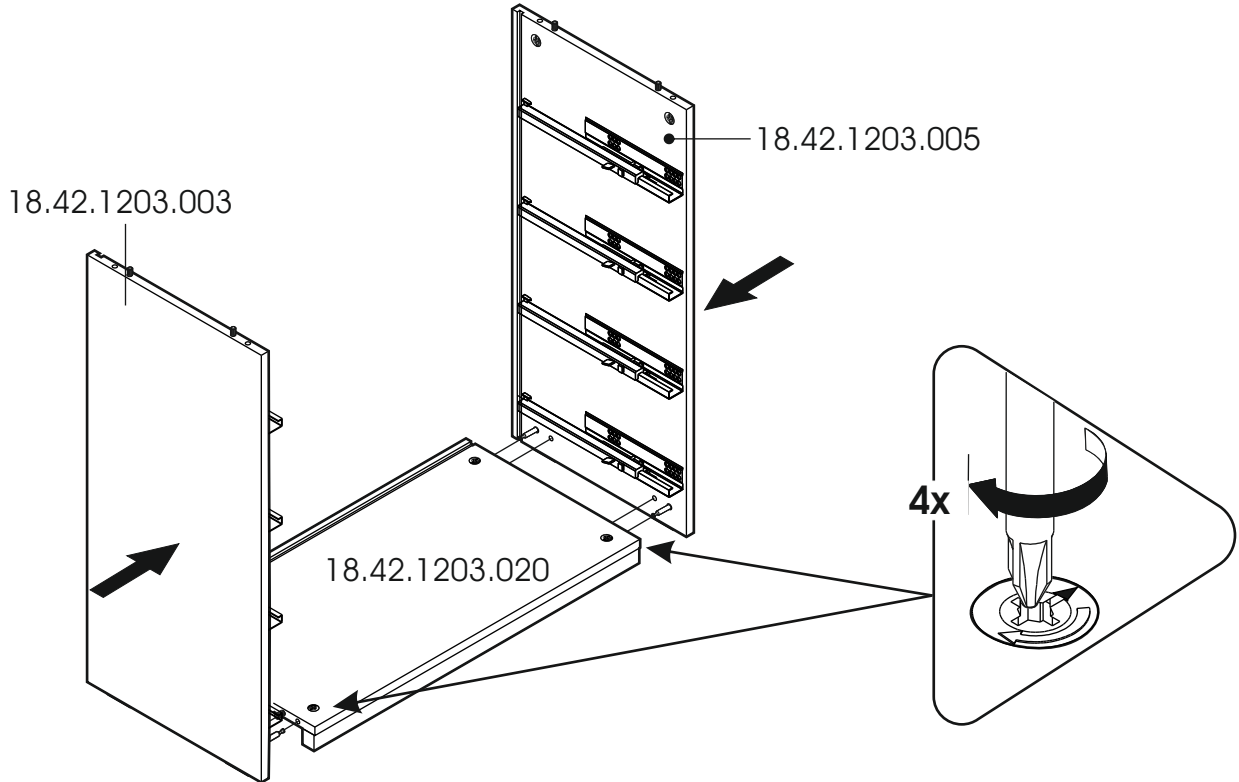


18.42.1203.005

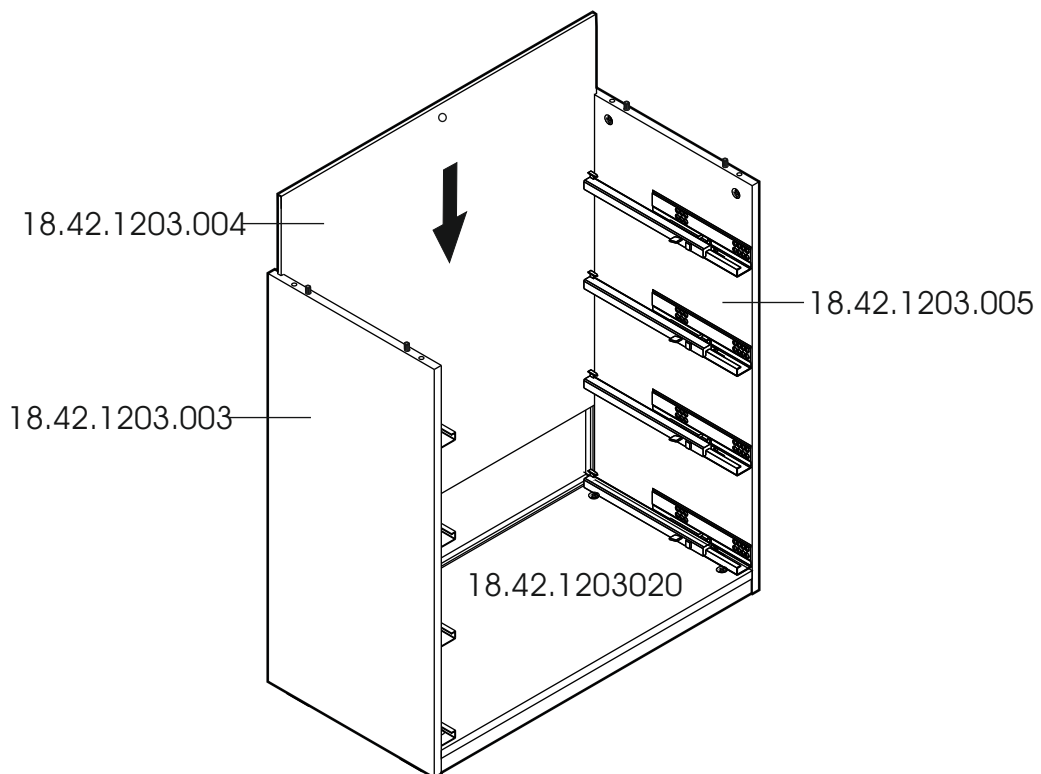
5



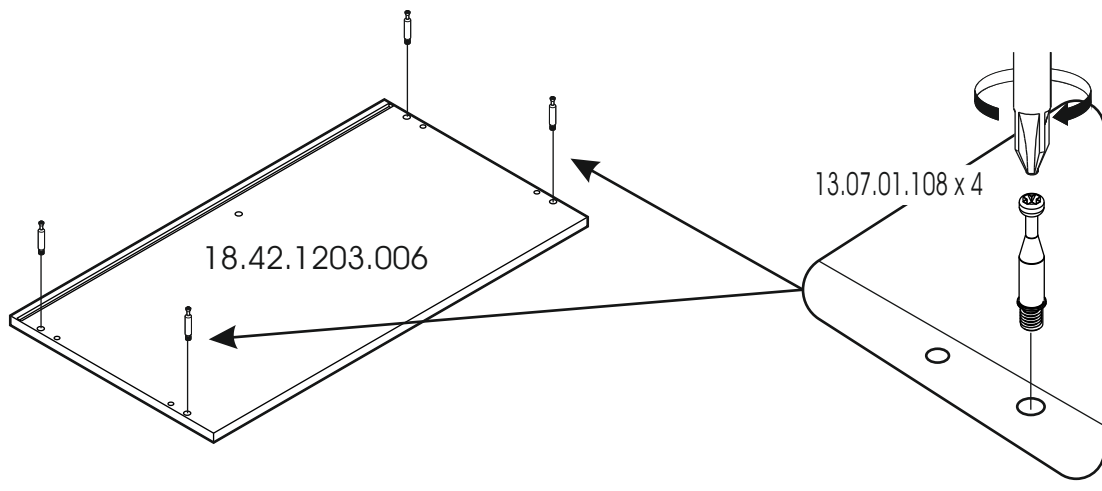
6



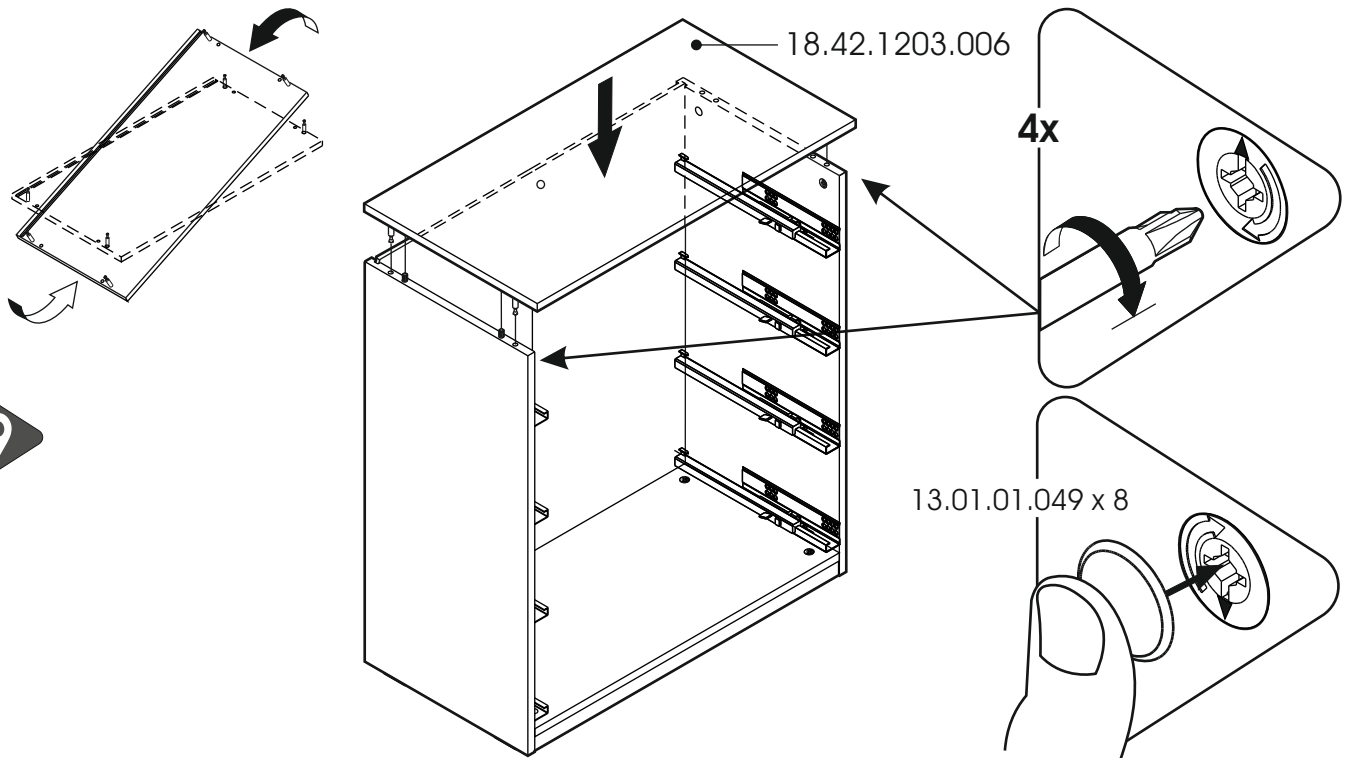
7



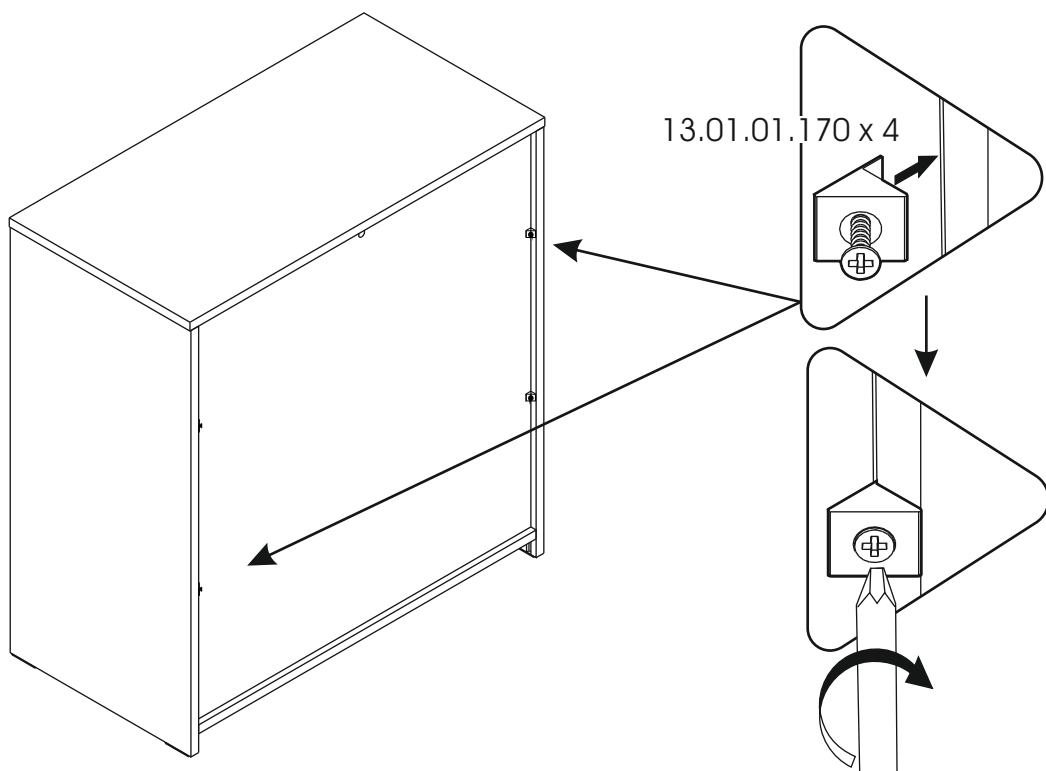
8



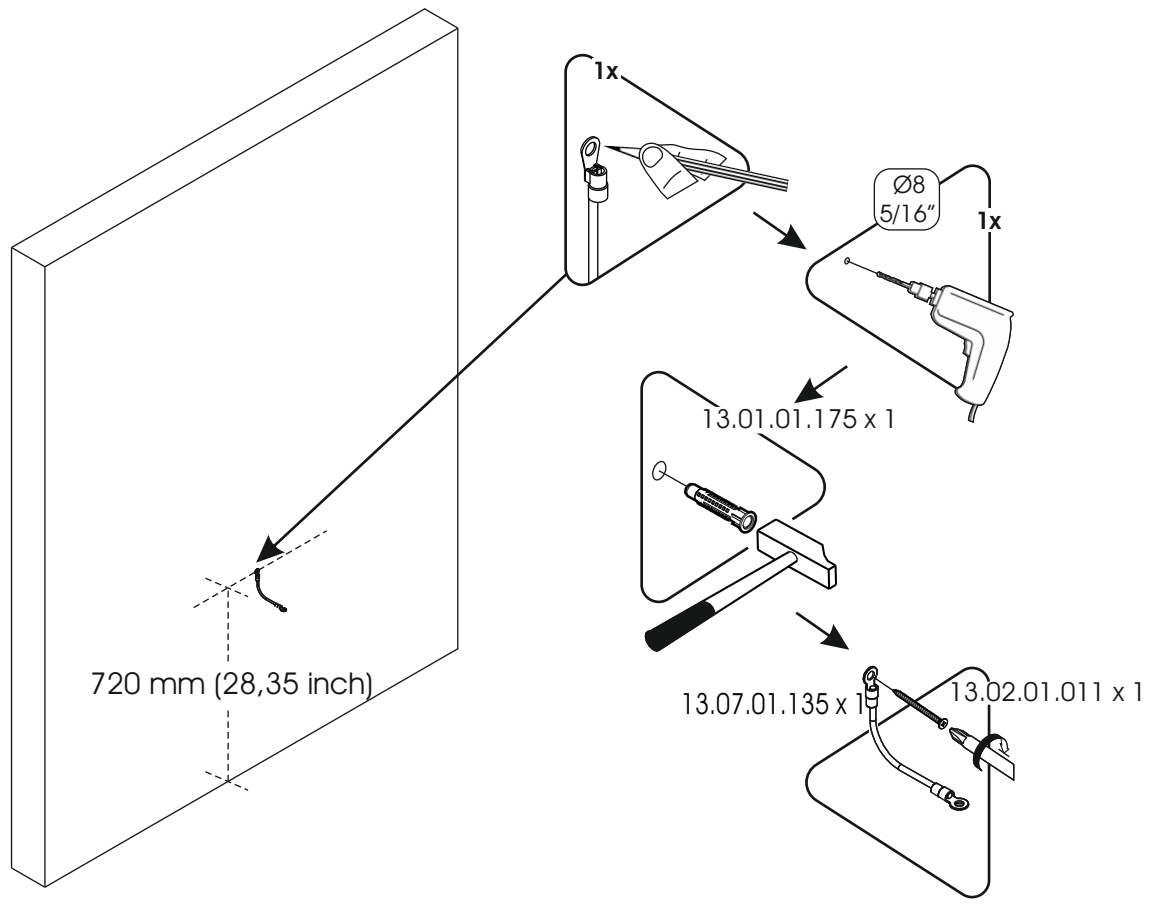
9



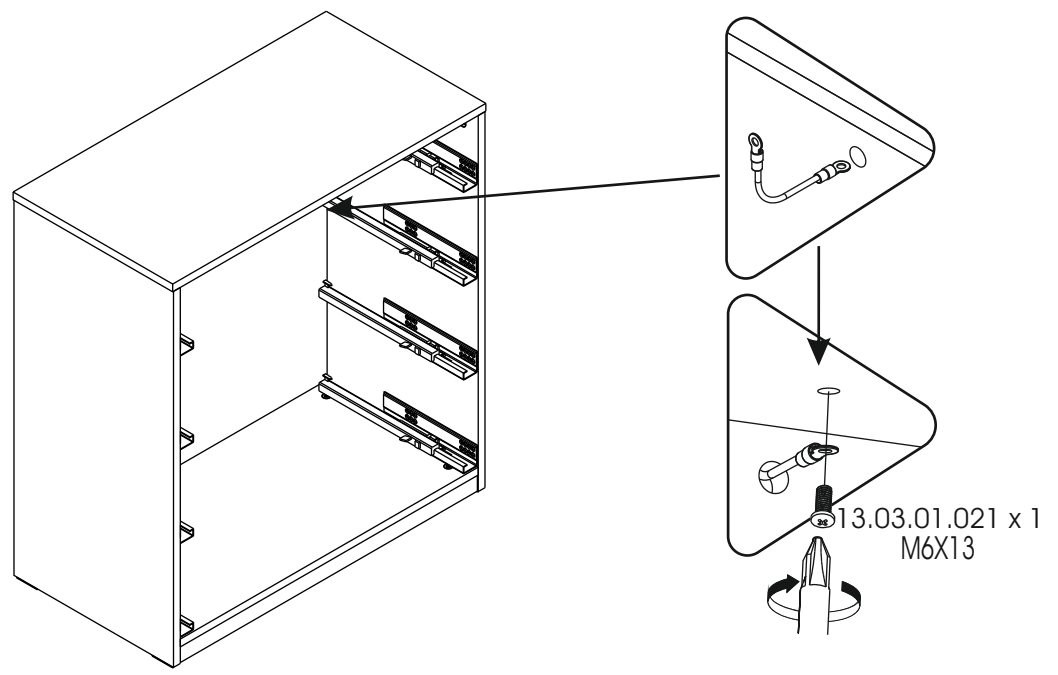
10



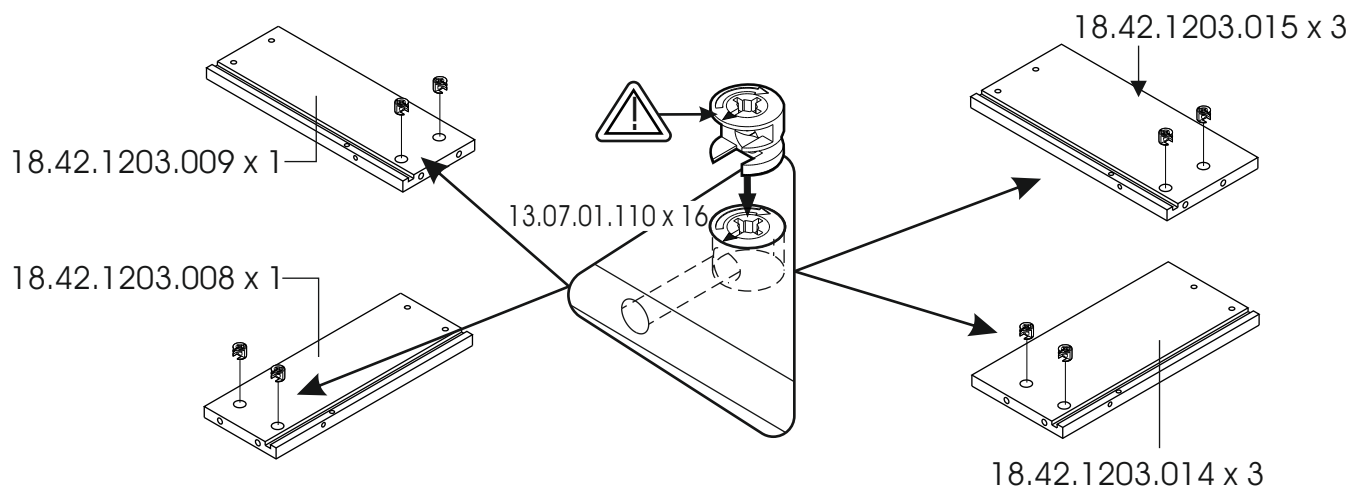
11



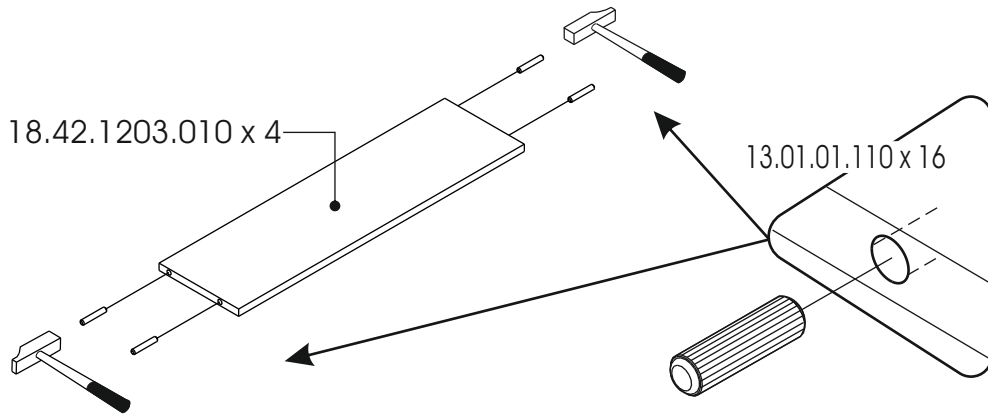
12



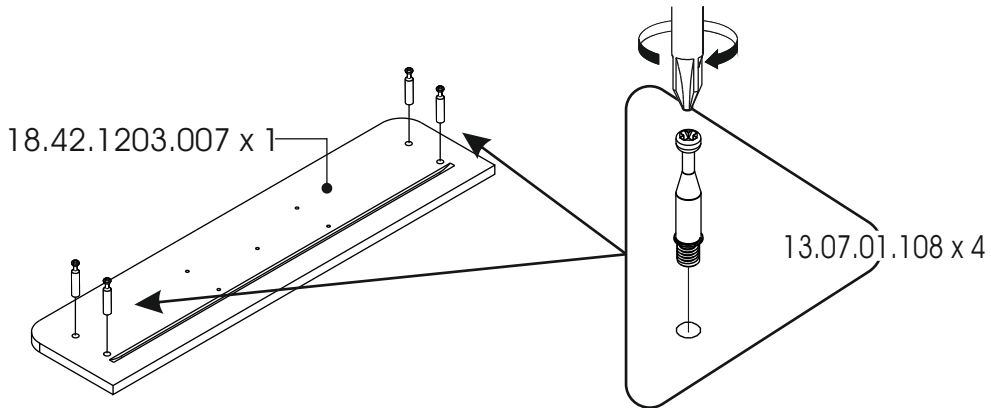
13



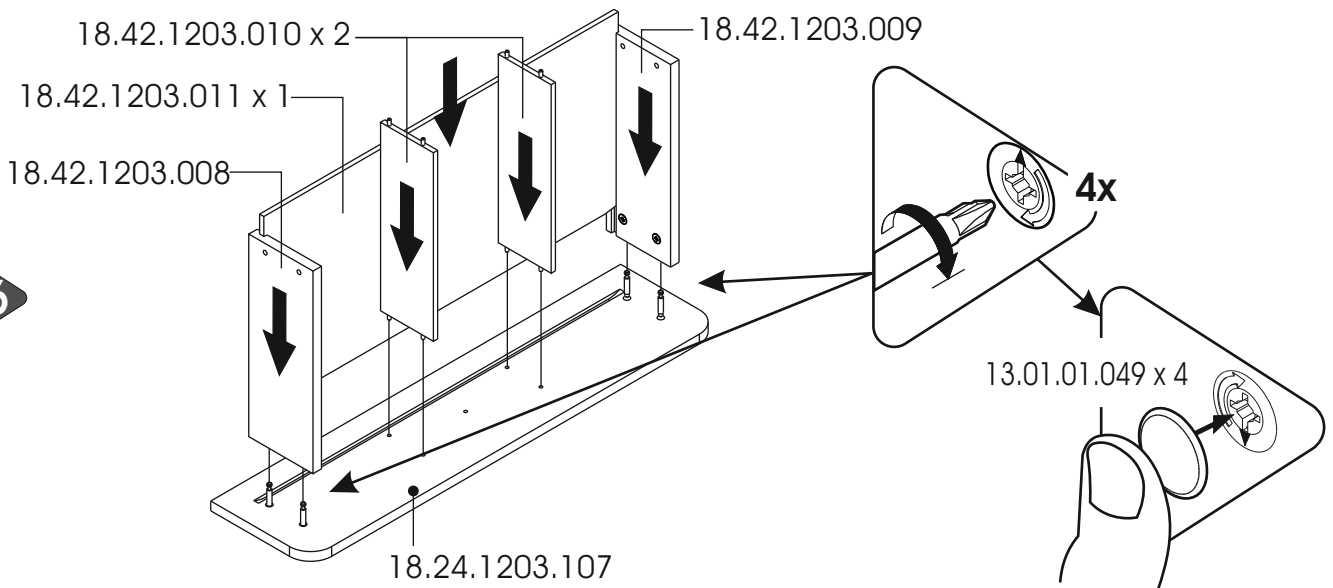
14



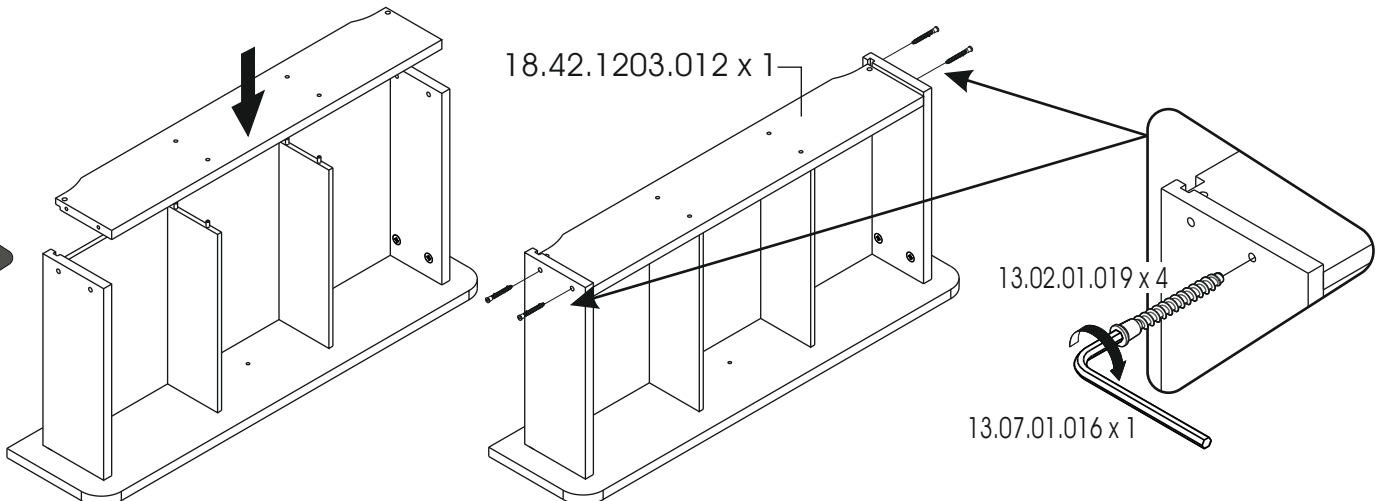
15



16

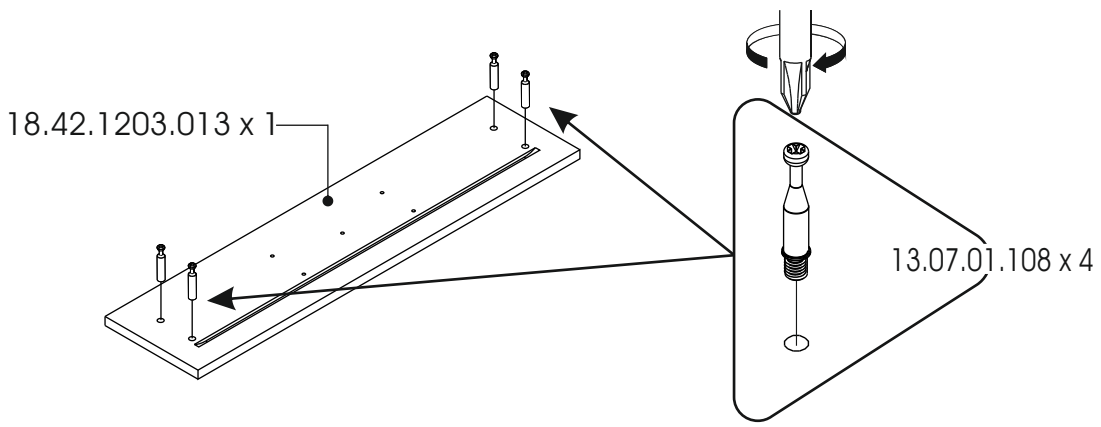


17

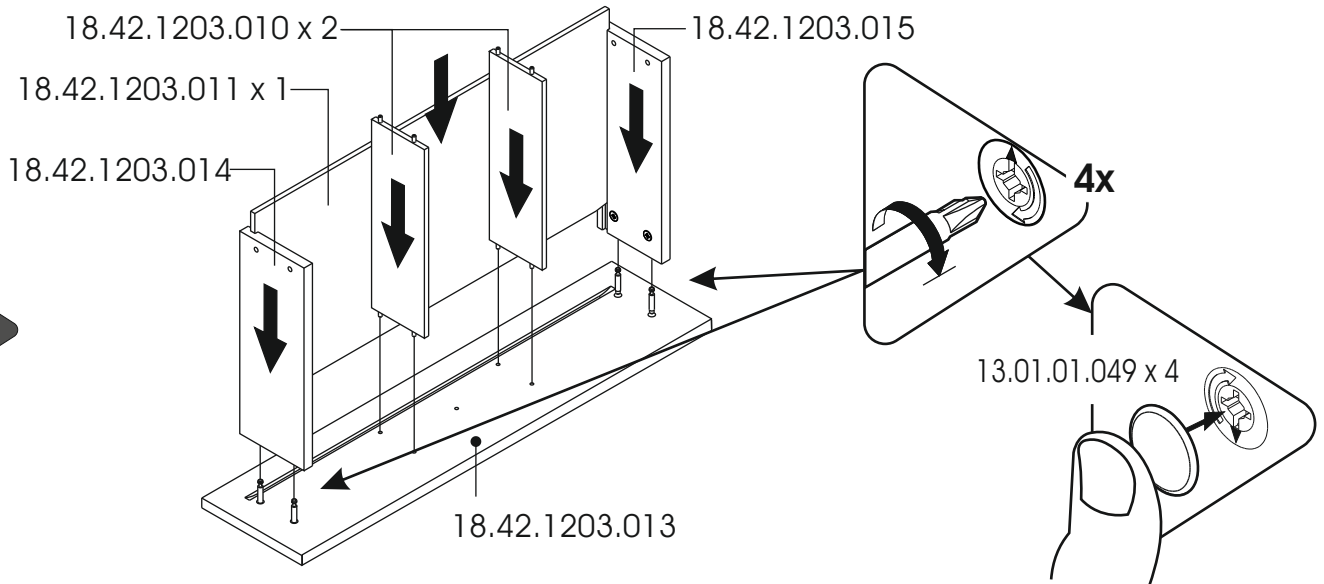




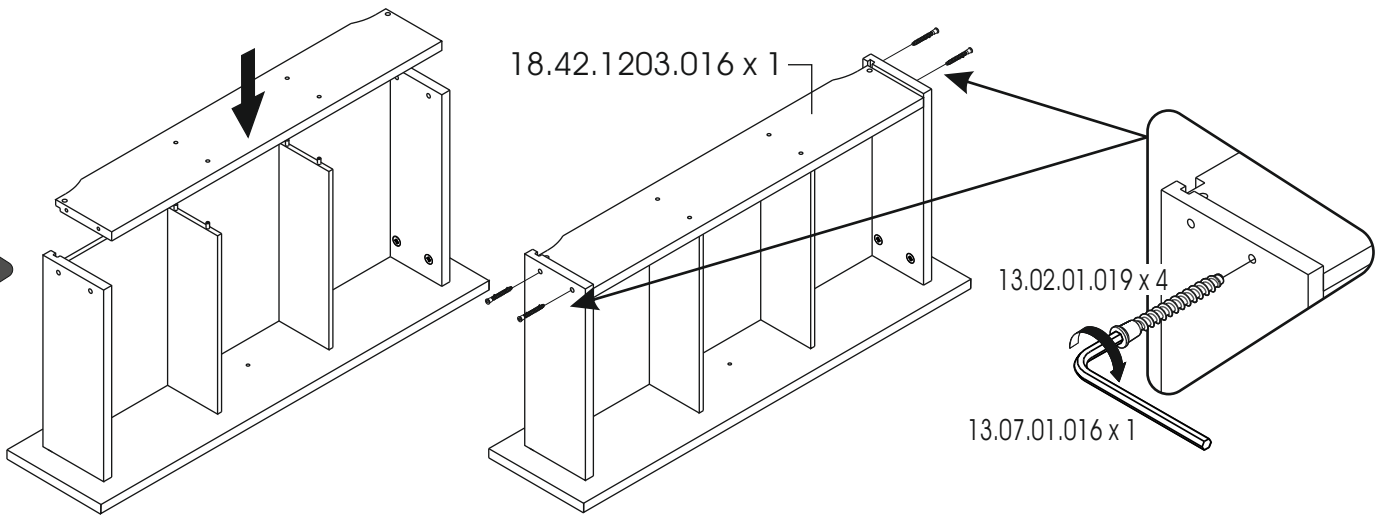
18



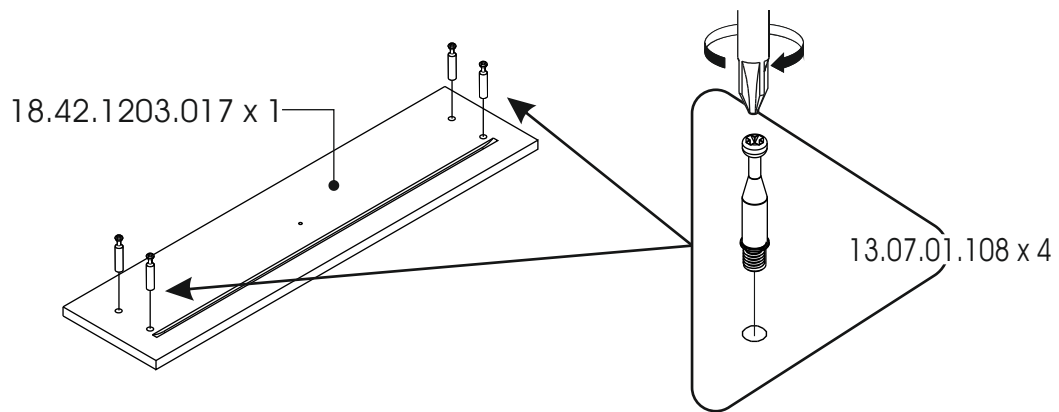
19

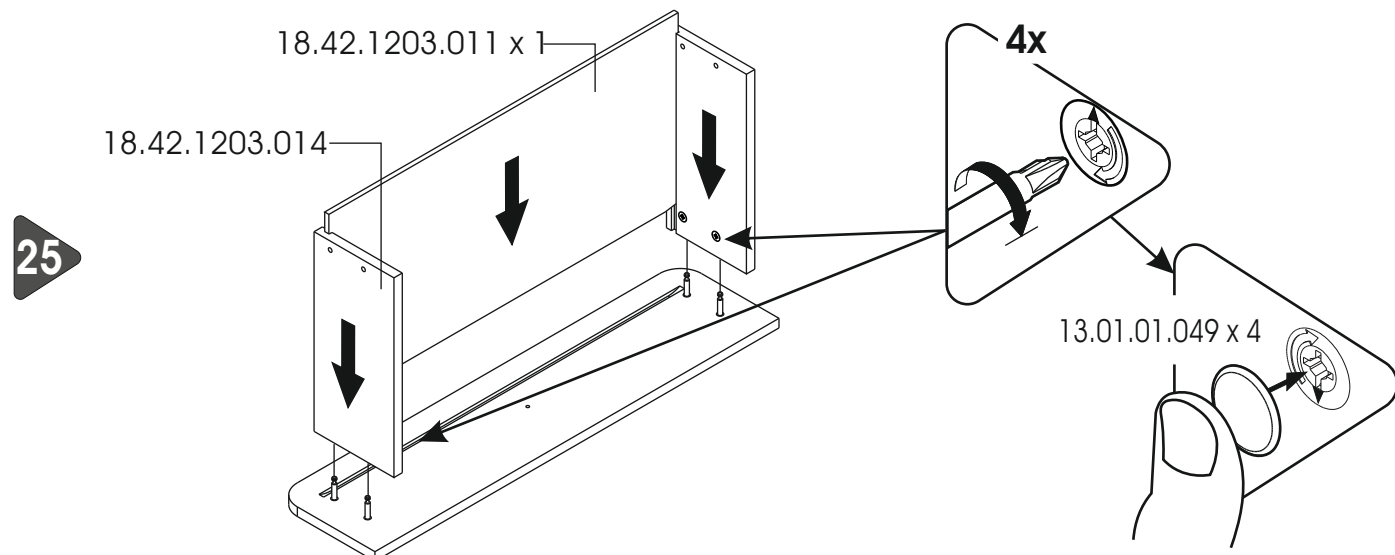
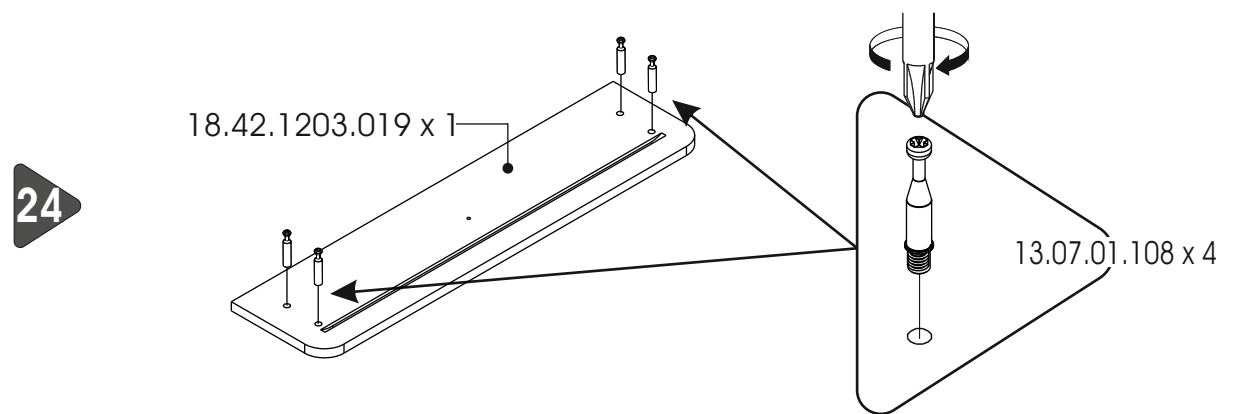
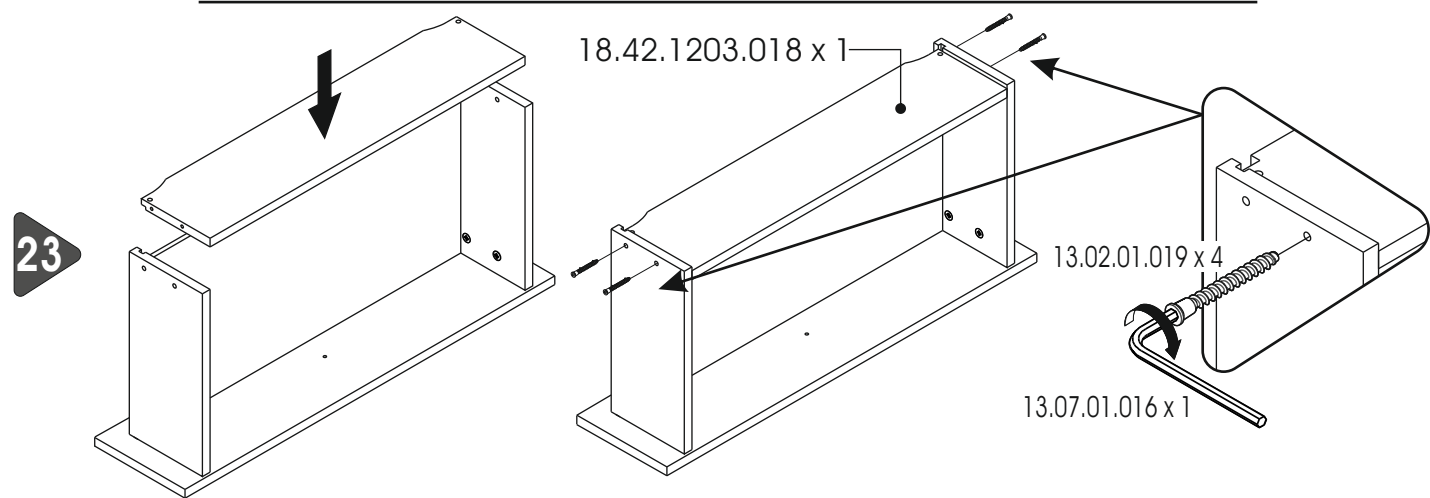
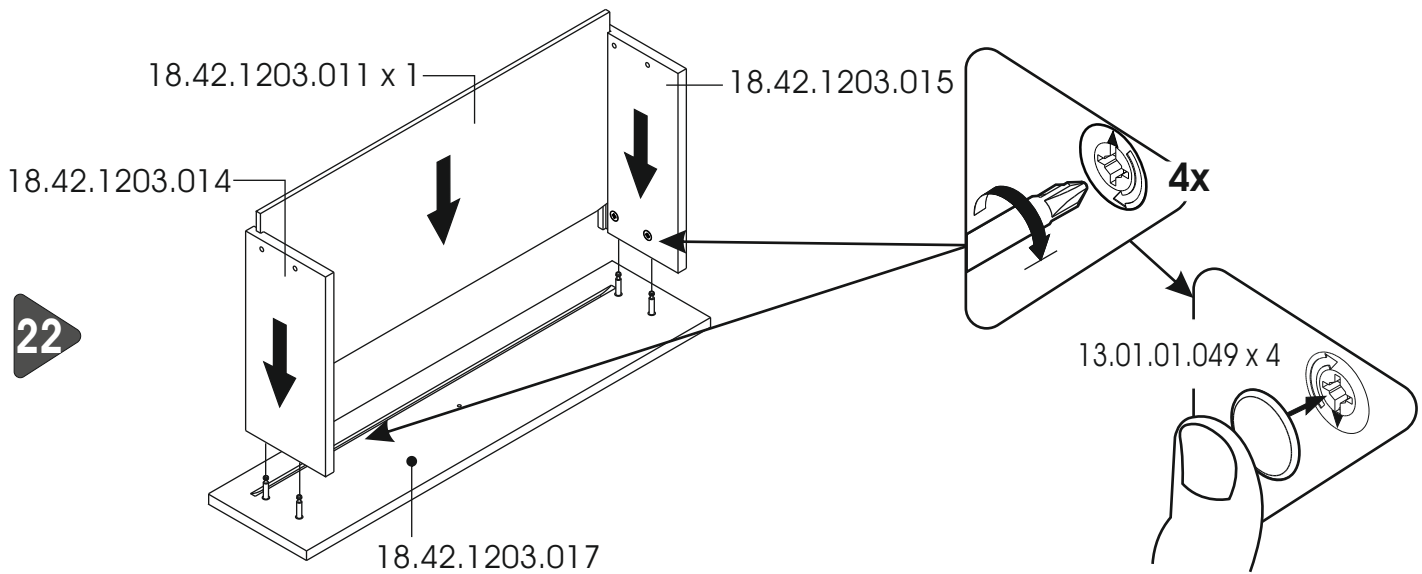


20

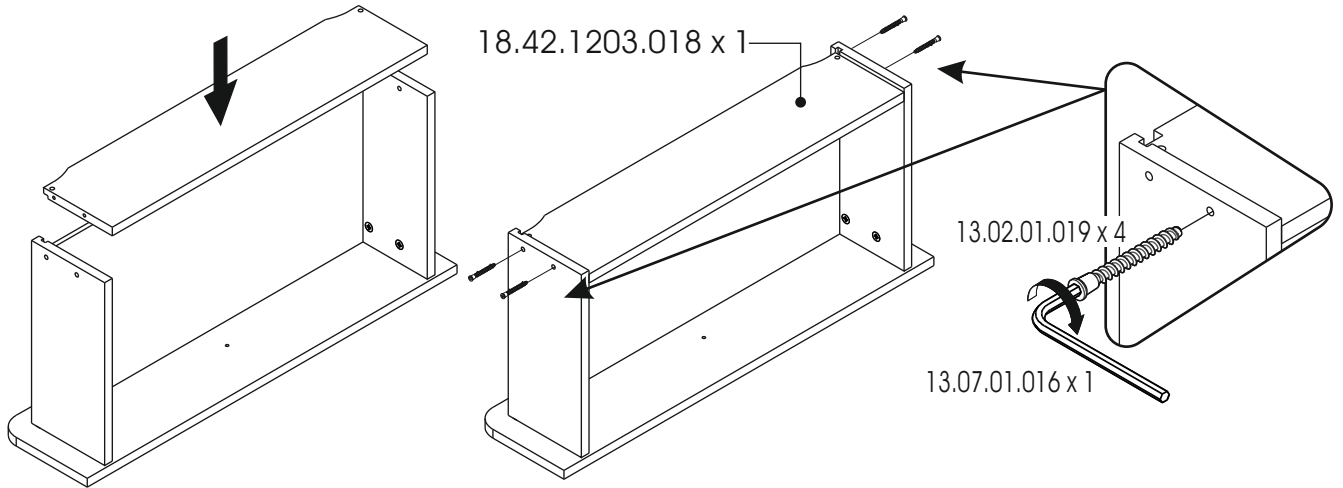


21

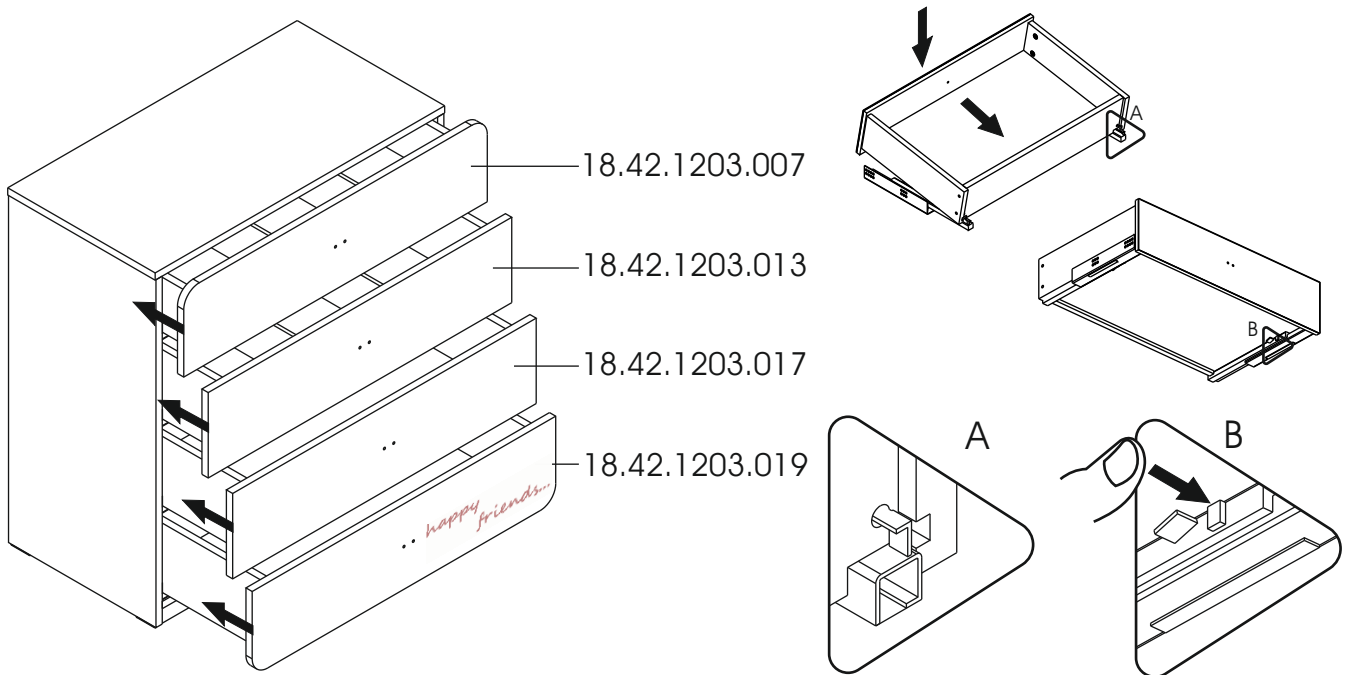




26



27



28

