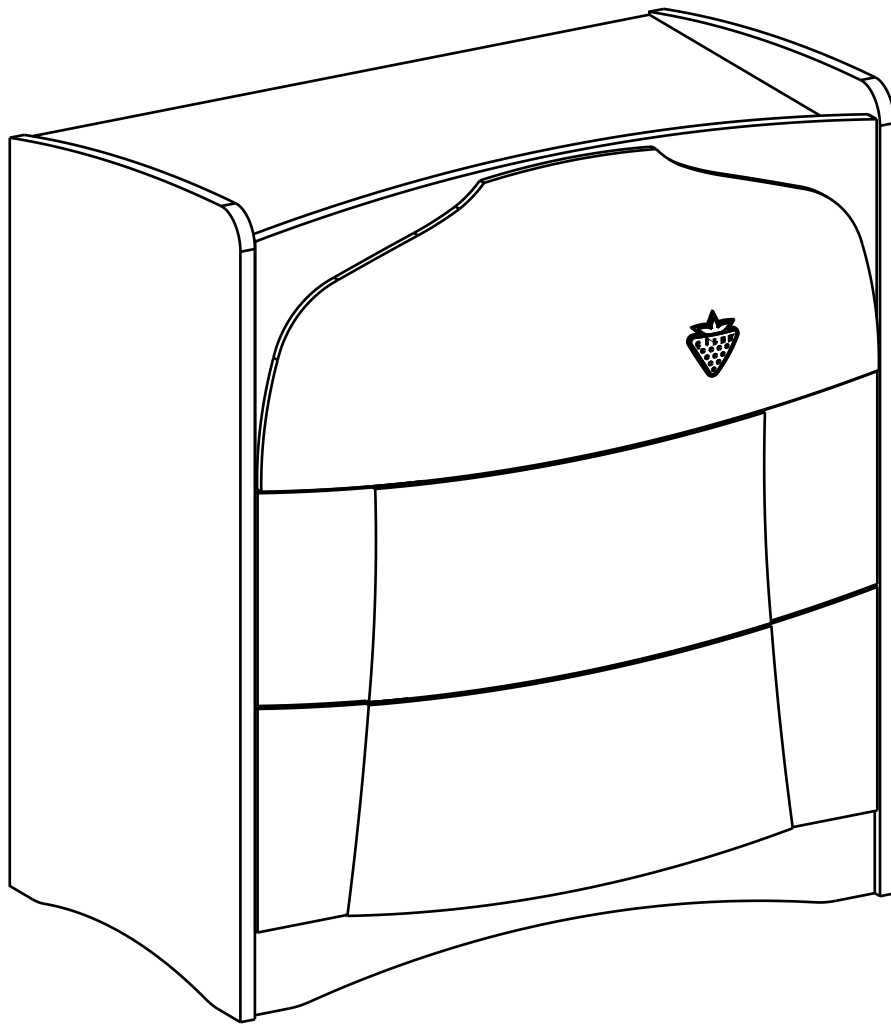
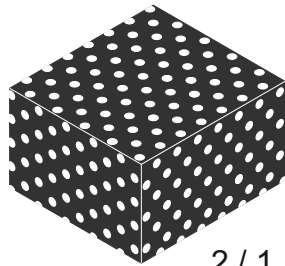
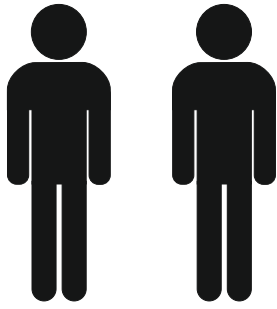
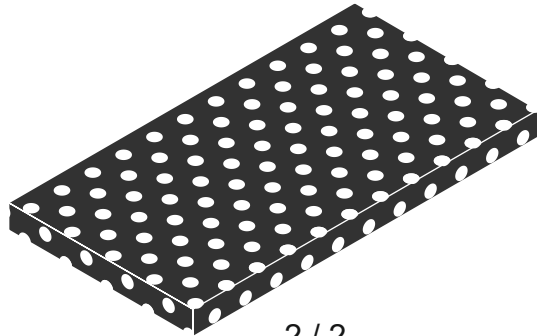


20.37.1201.02

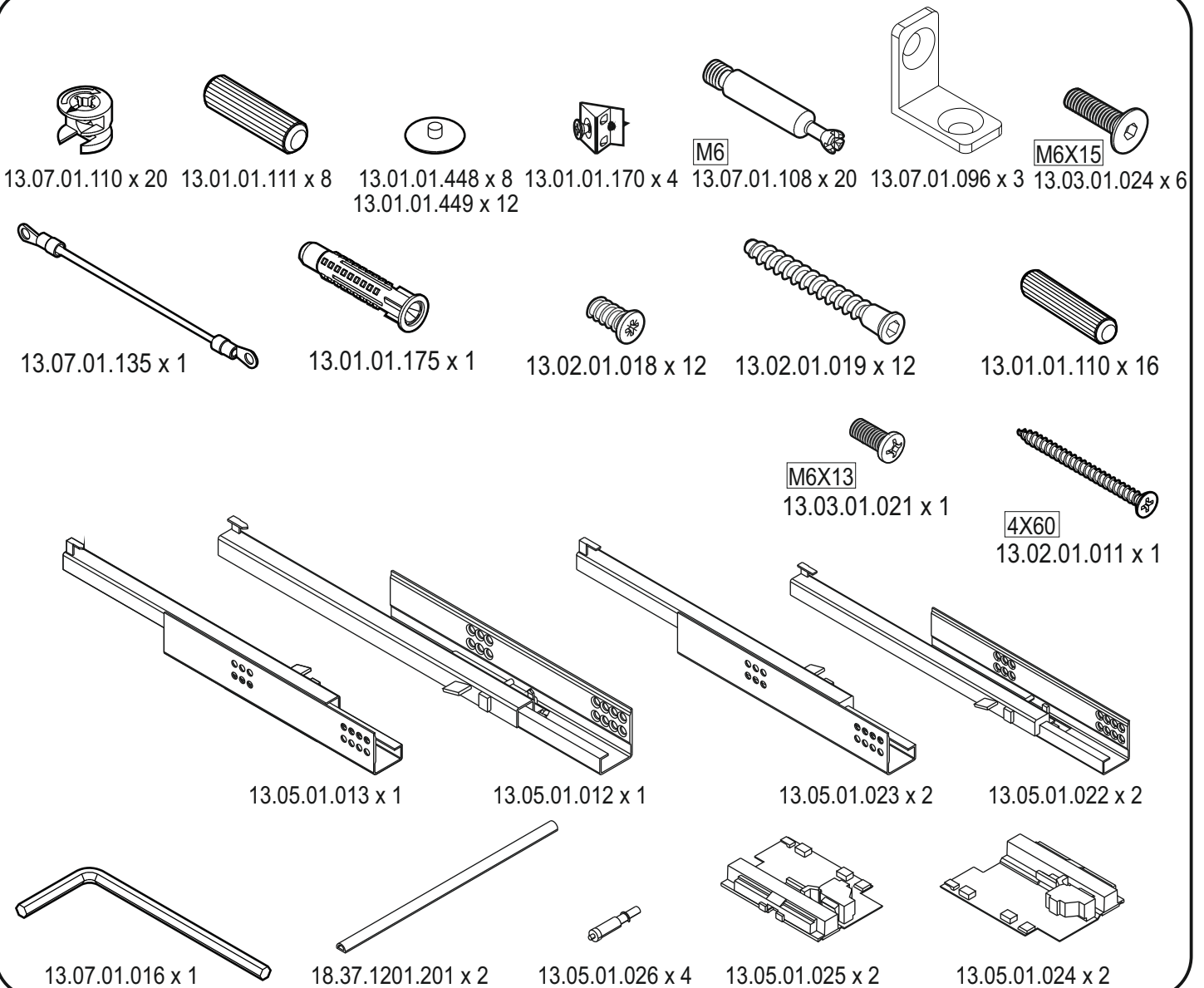




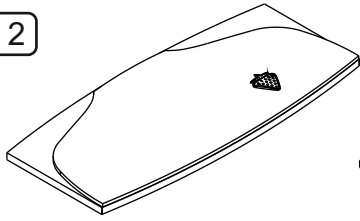
2 / 1



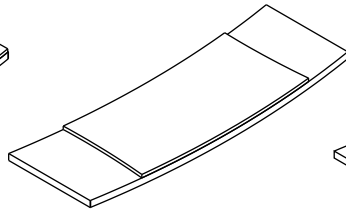
2 / 2



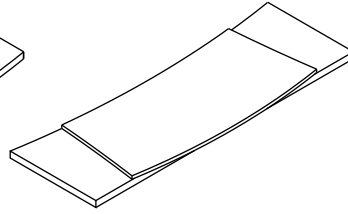
1/2



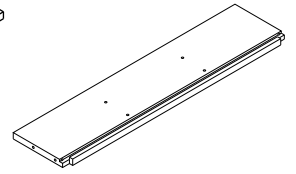
18.37.1201.005x 1



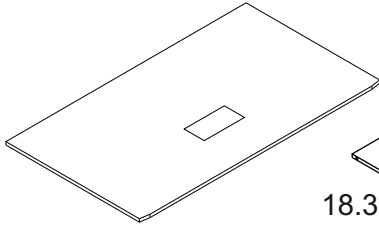
18.37.1201.006x 1



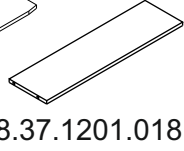
18.37.1201.057x 1



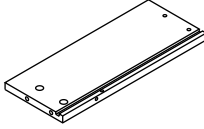
18.37.1201.011x 1



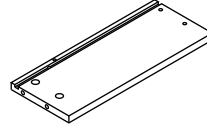
18.37.1201.062 x 3



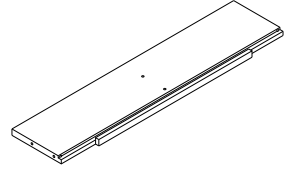
18.37.1201.018 x 4



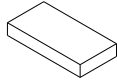
18.37.1201.009x 3



18.37.1201.008 x 3



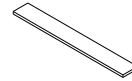
18.37.1201.010x 2



18.37.1201.911 x 1

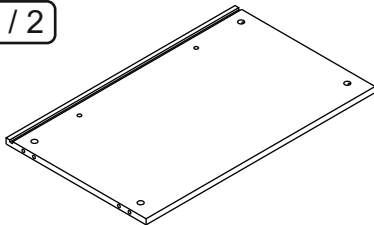


18.37.1201.941 x 1

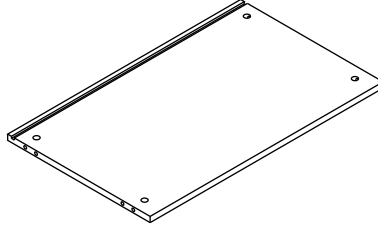


18.37.1201.931 x 1

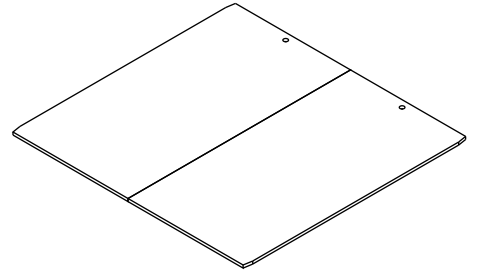
2/2



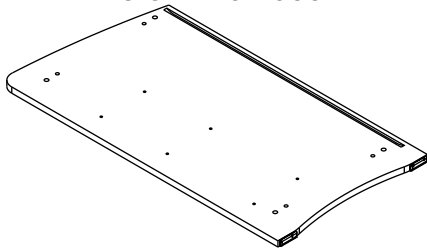
18.37.1201.053 x 1



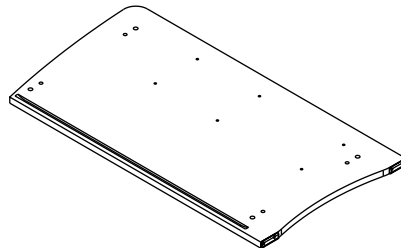
18.37.1201.004 x 1



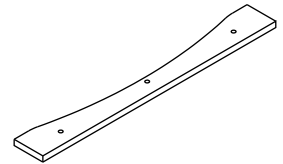
18.37.1201.069 x 1



18.37.1201.051 x 1

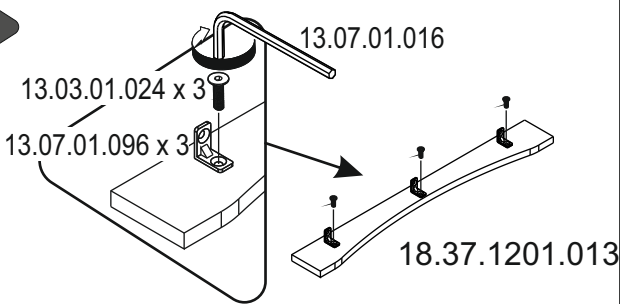


18.37.1201.052 x 1

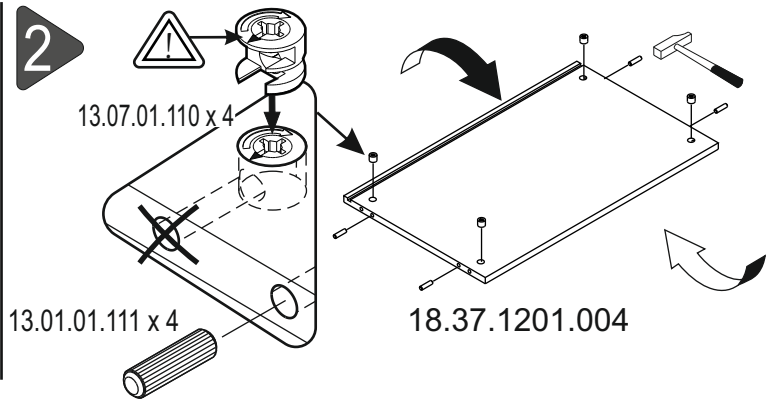


18.37.1201.013 x 1

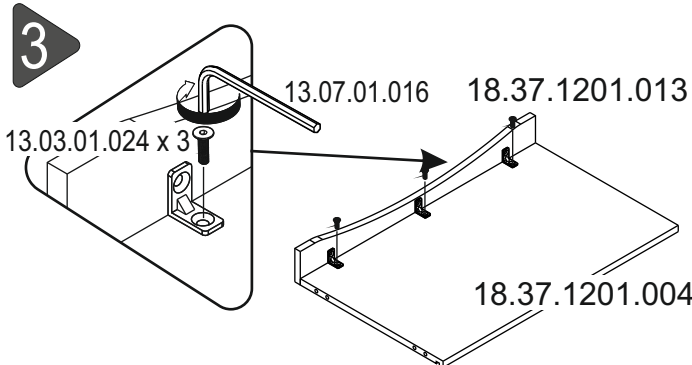
1



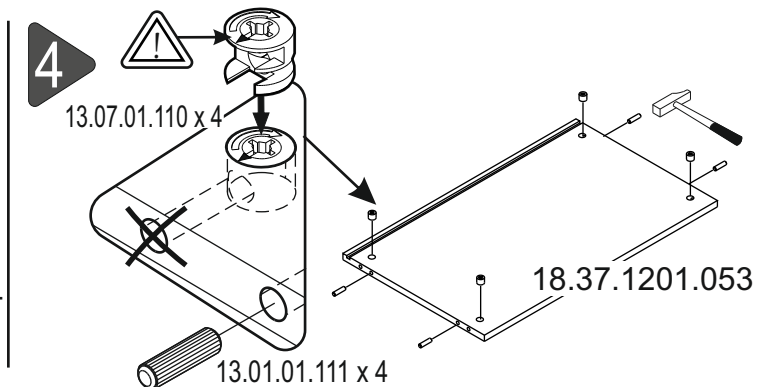
2



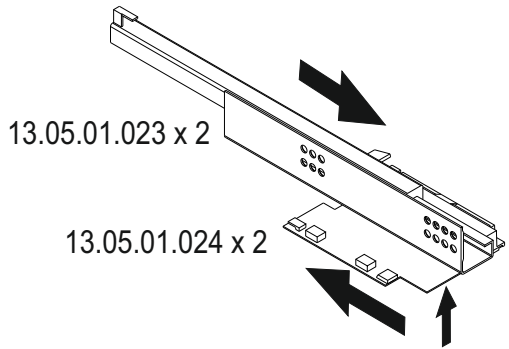
3



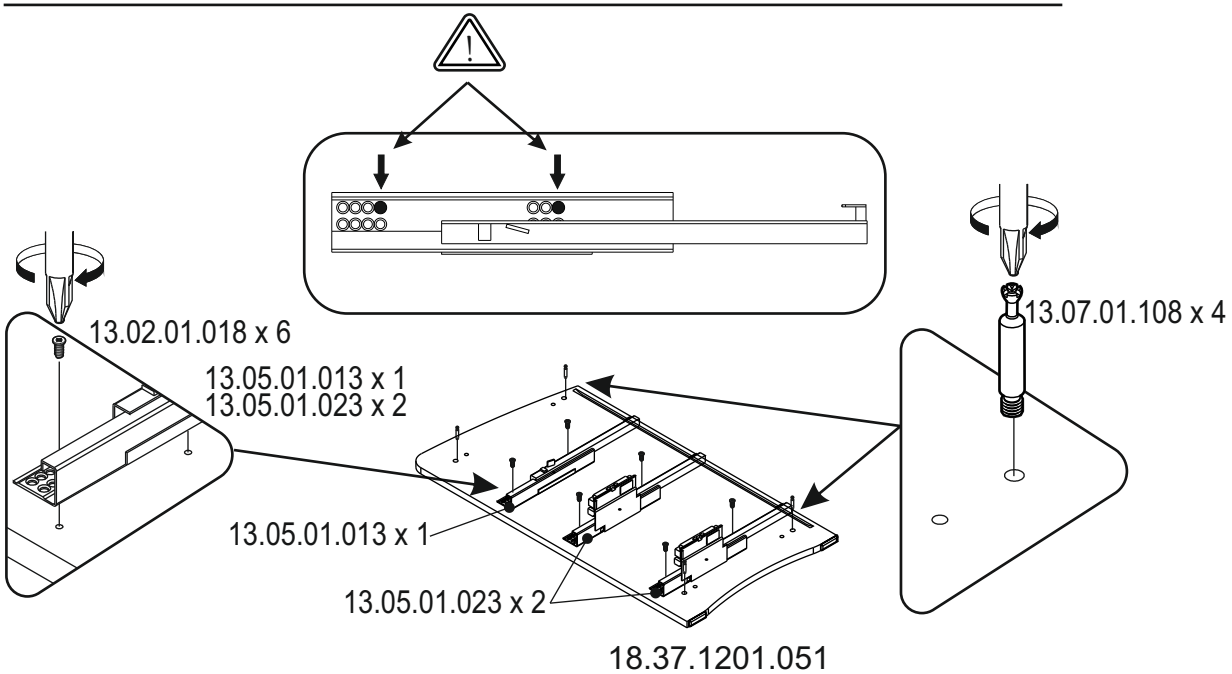
4



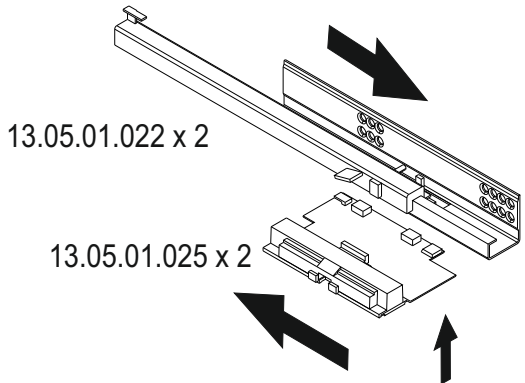
5



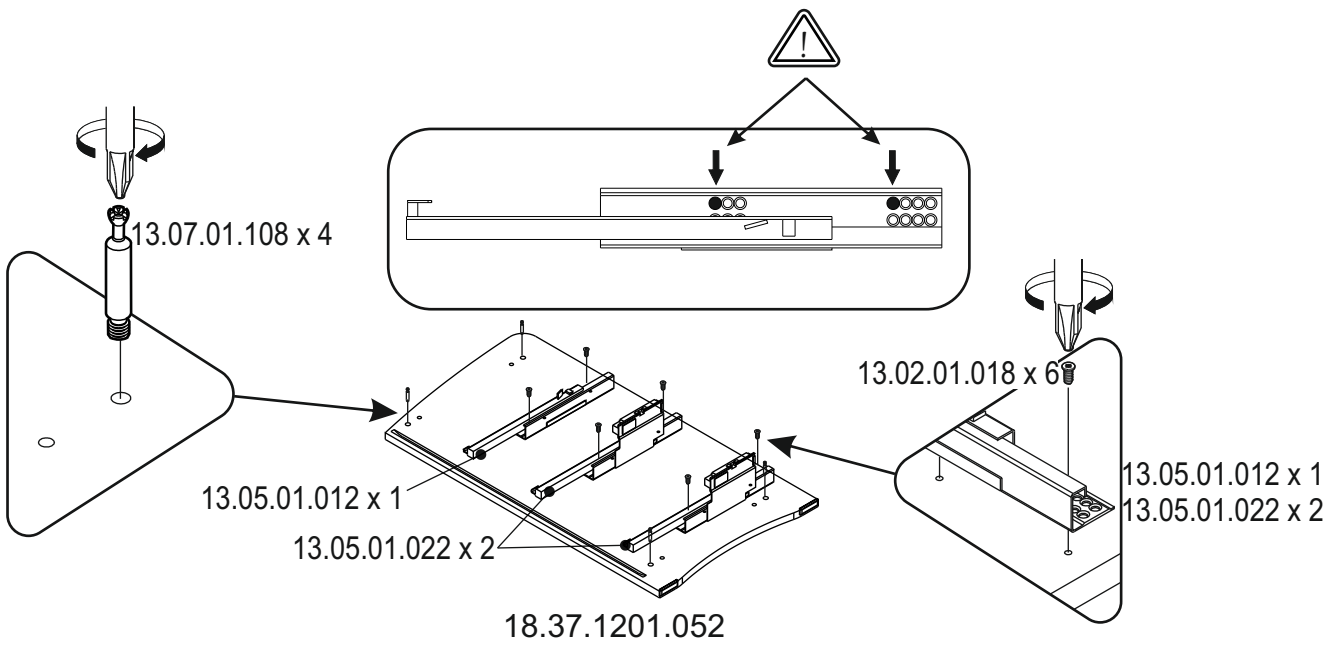
6



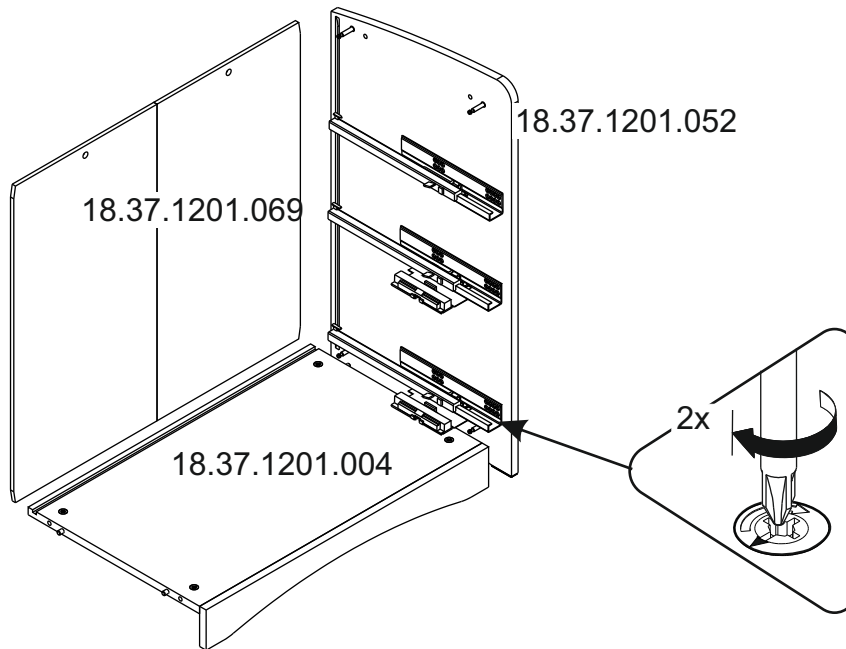
7



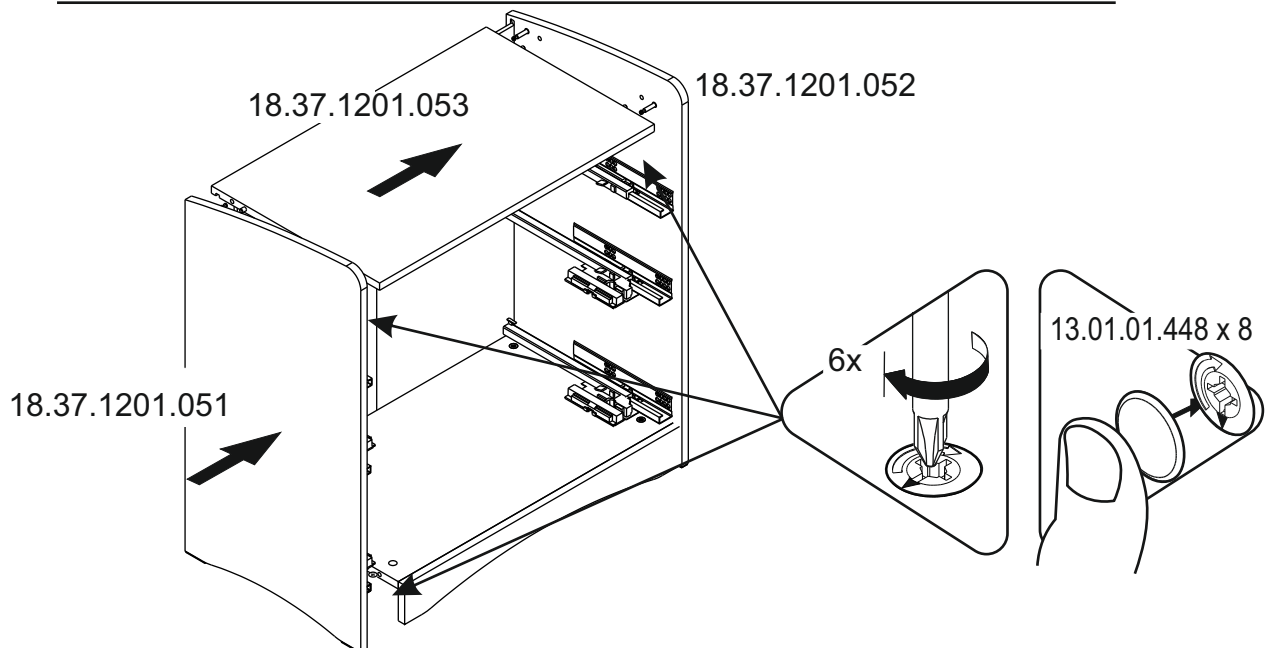
8



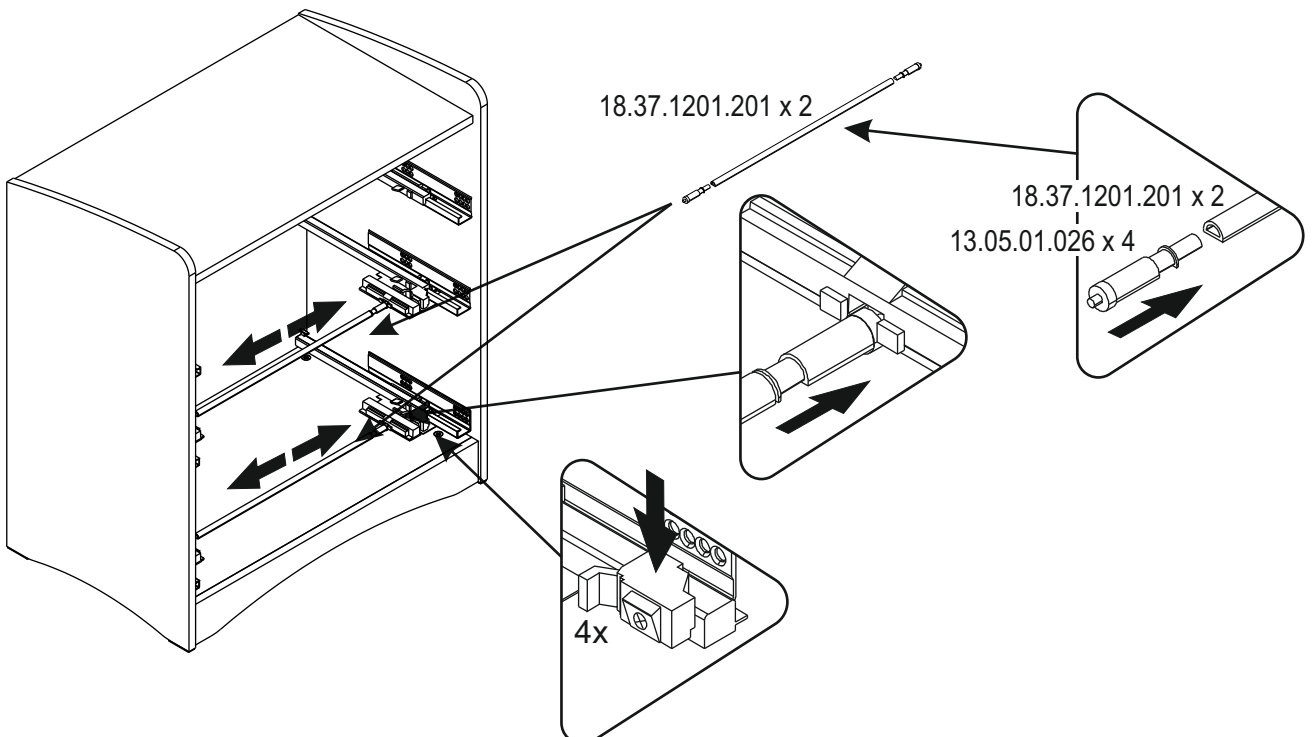
9



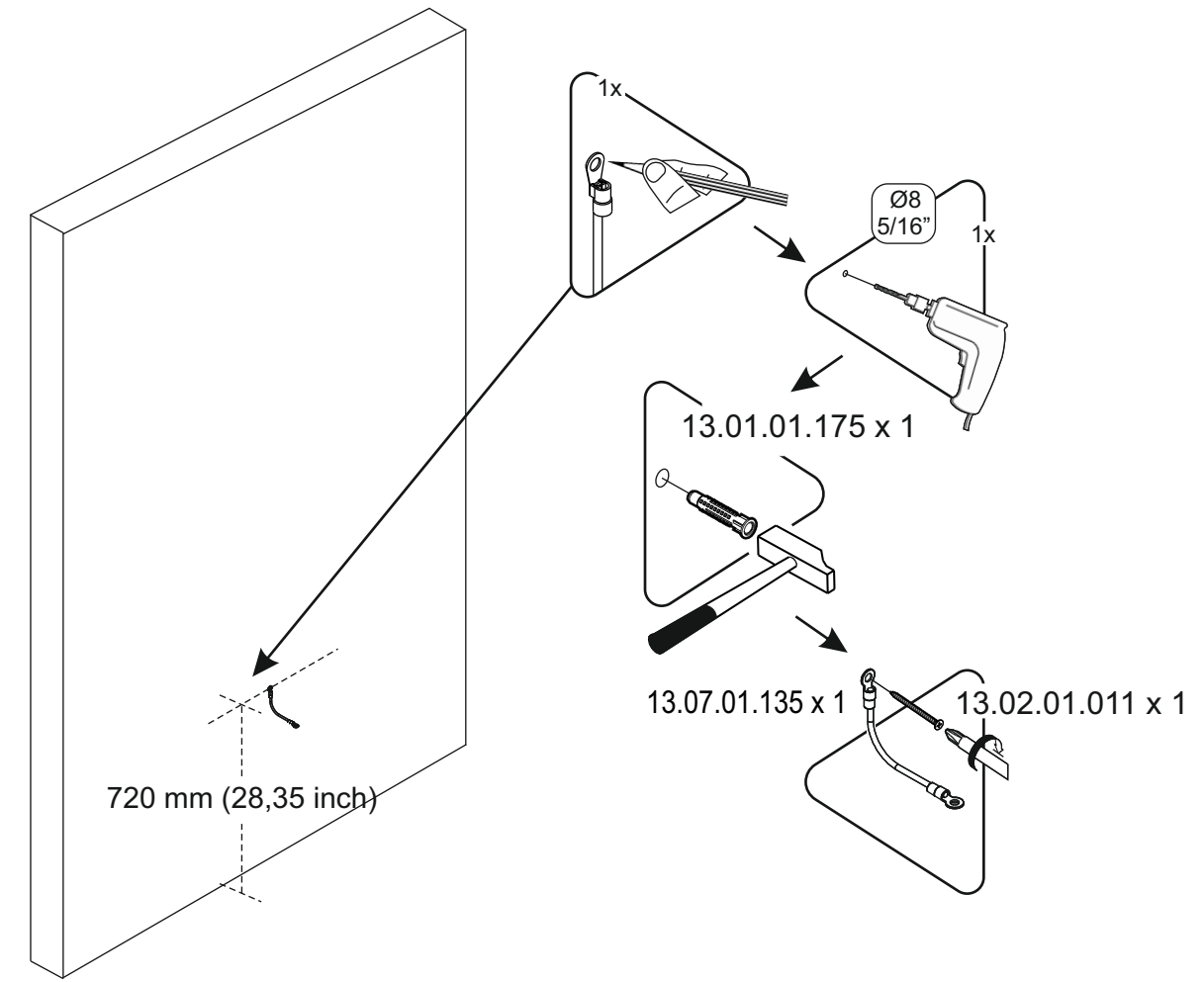
10



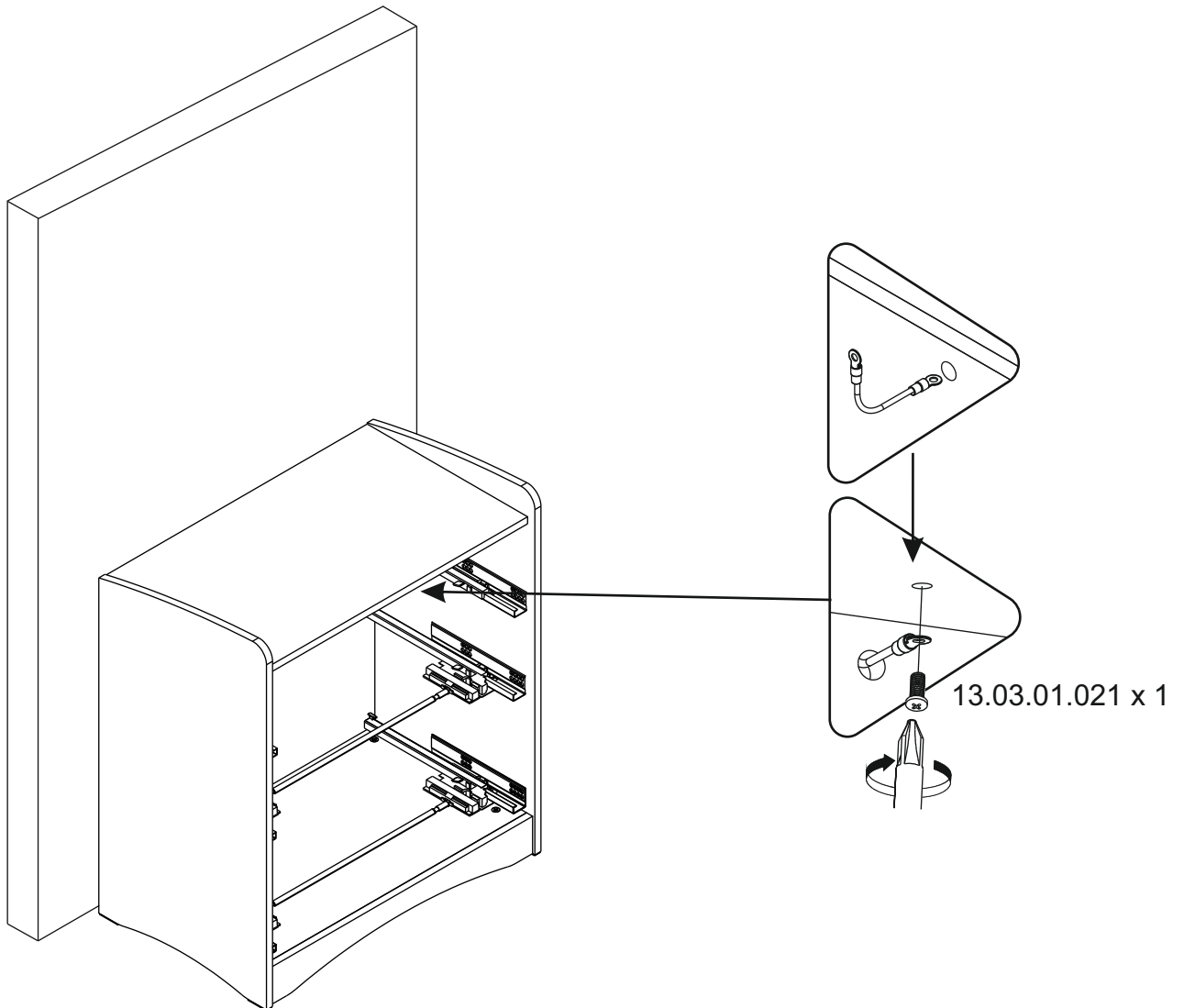
11

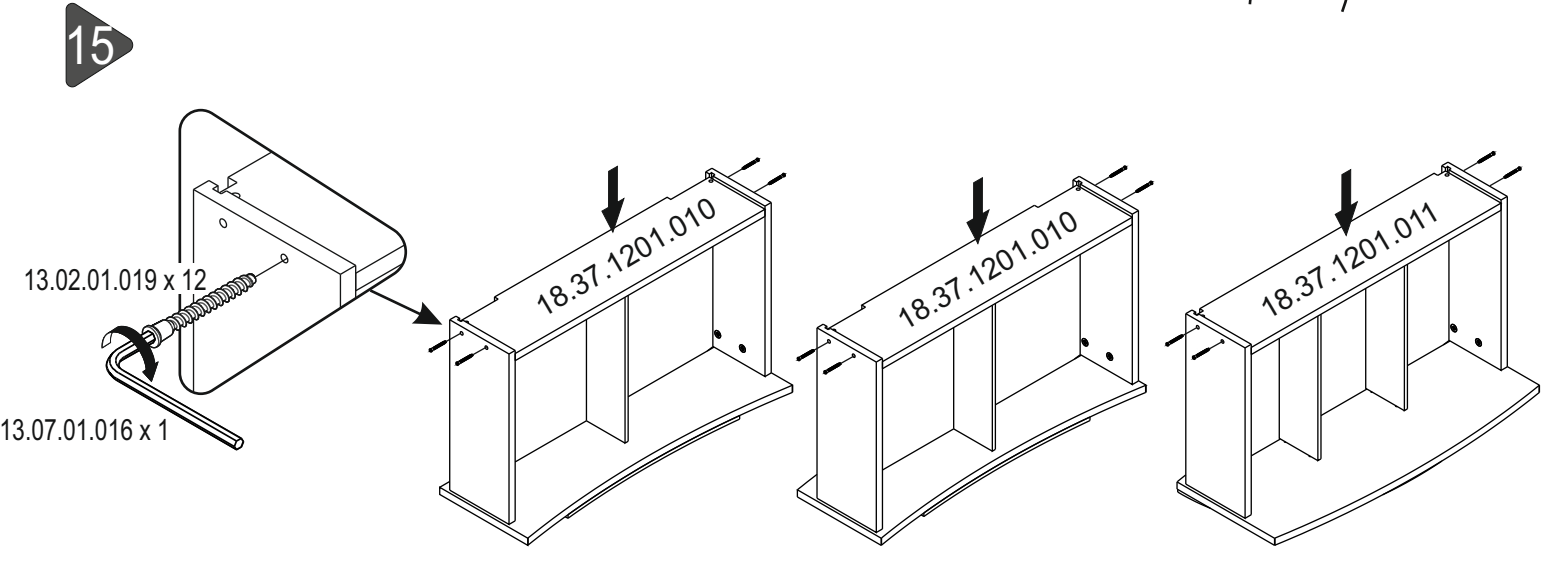
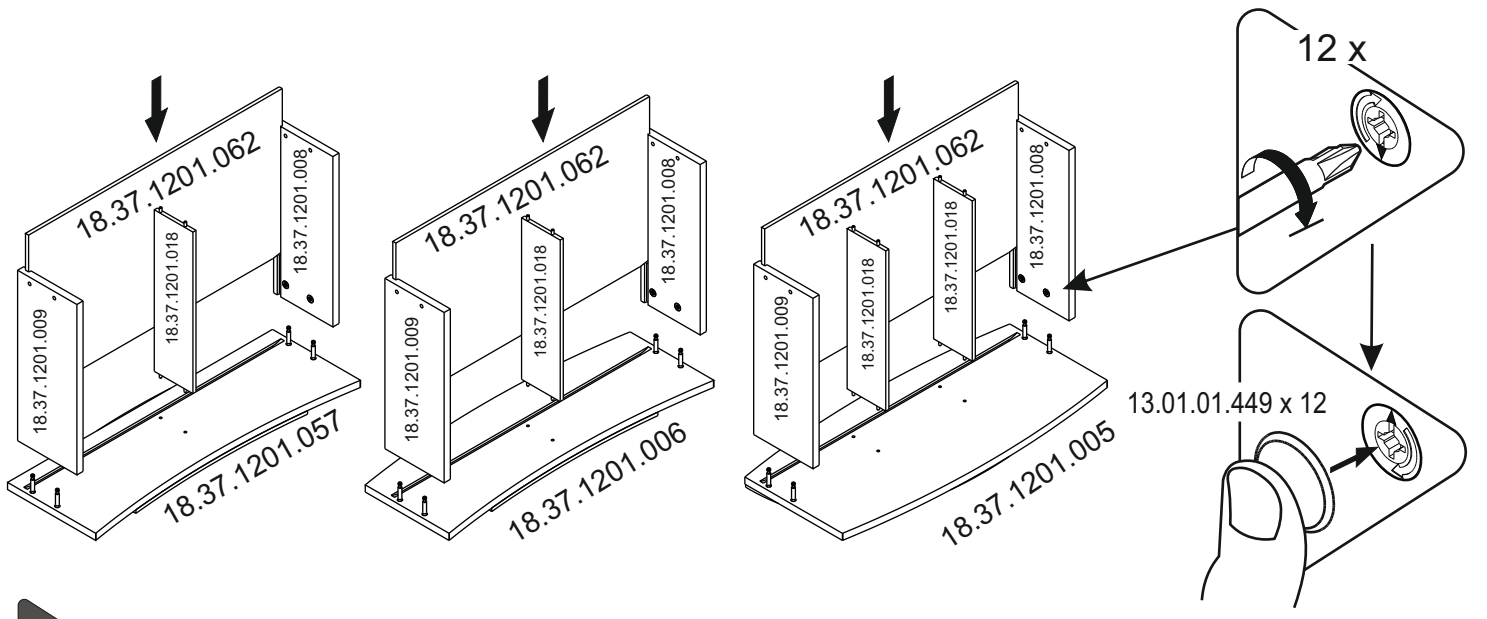
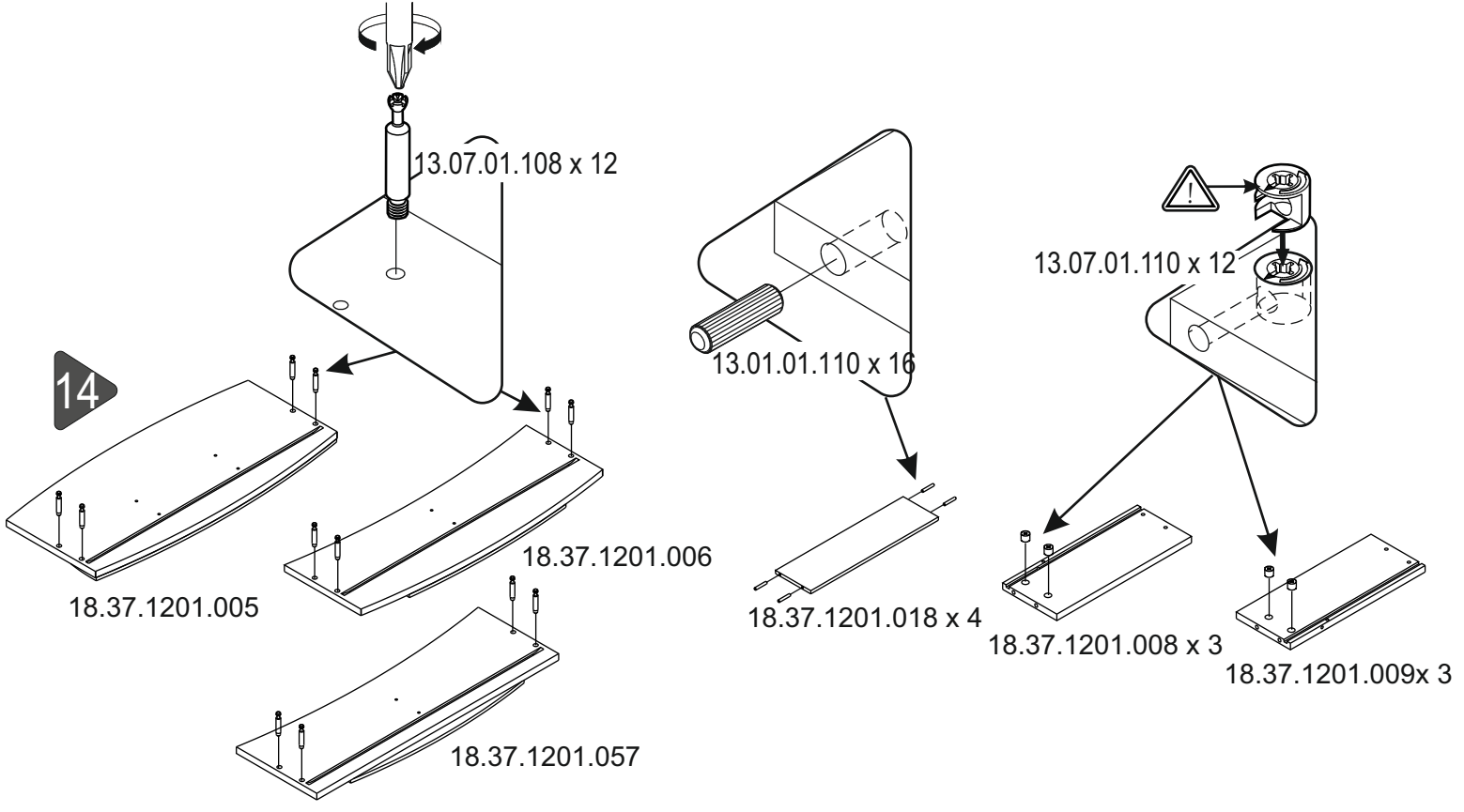


12

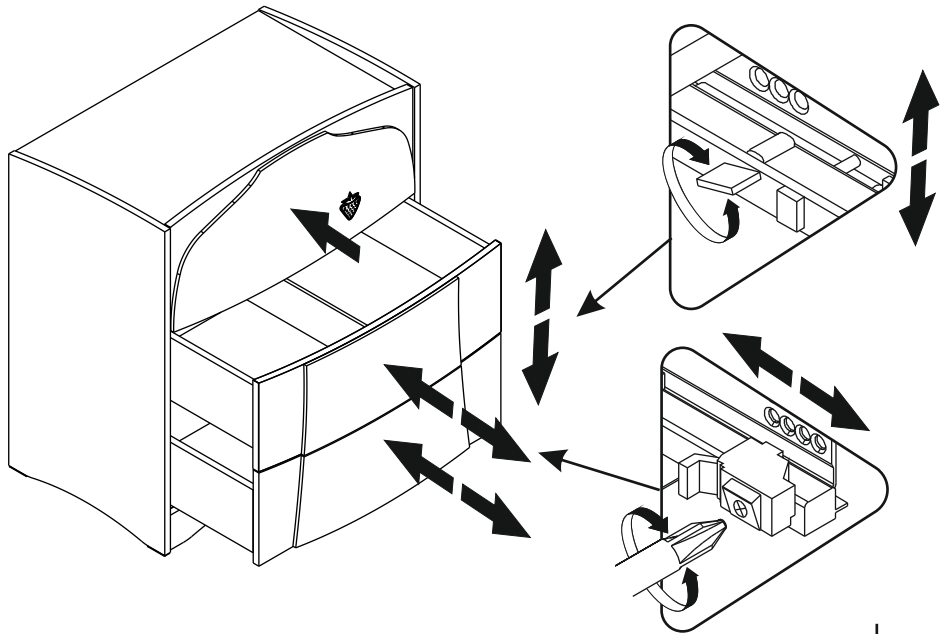


13

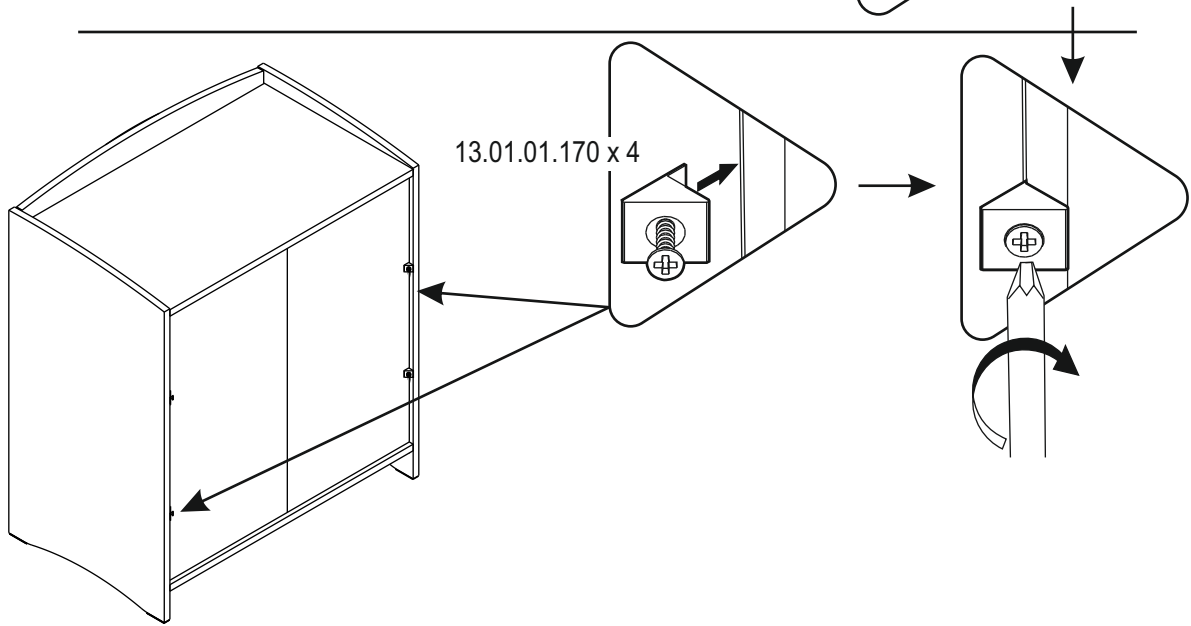




16



17



18

