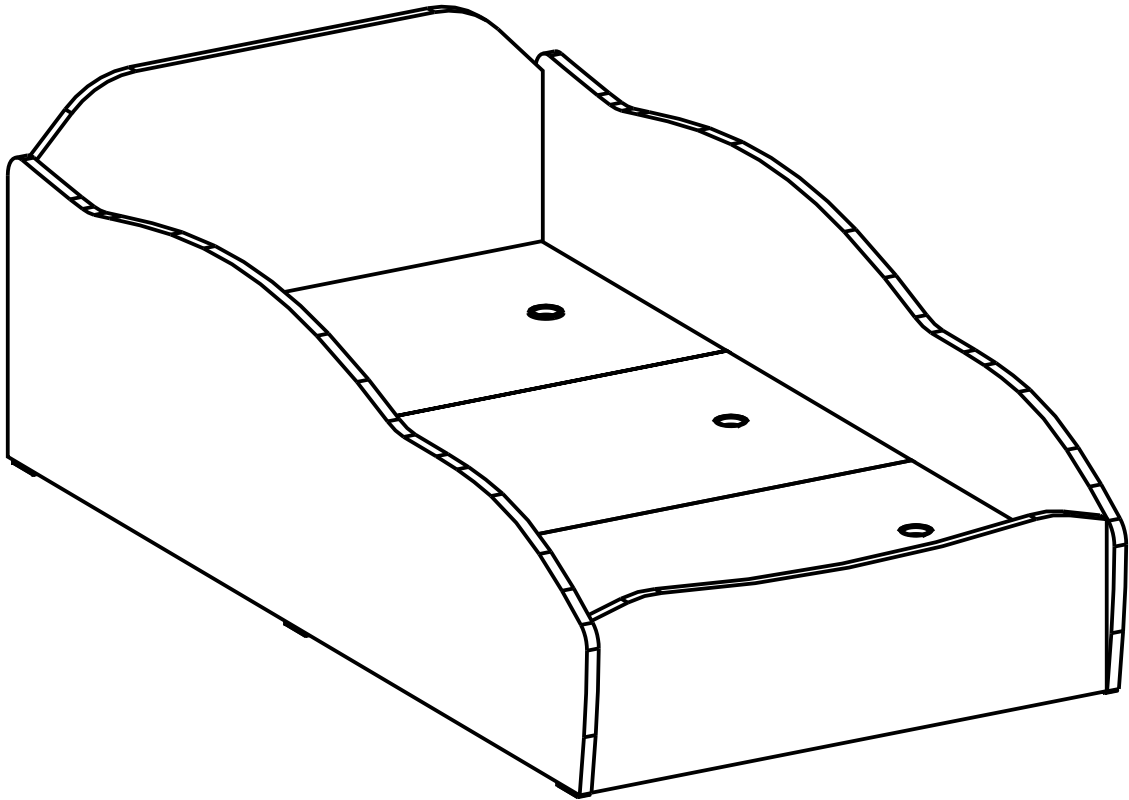
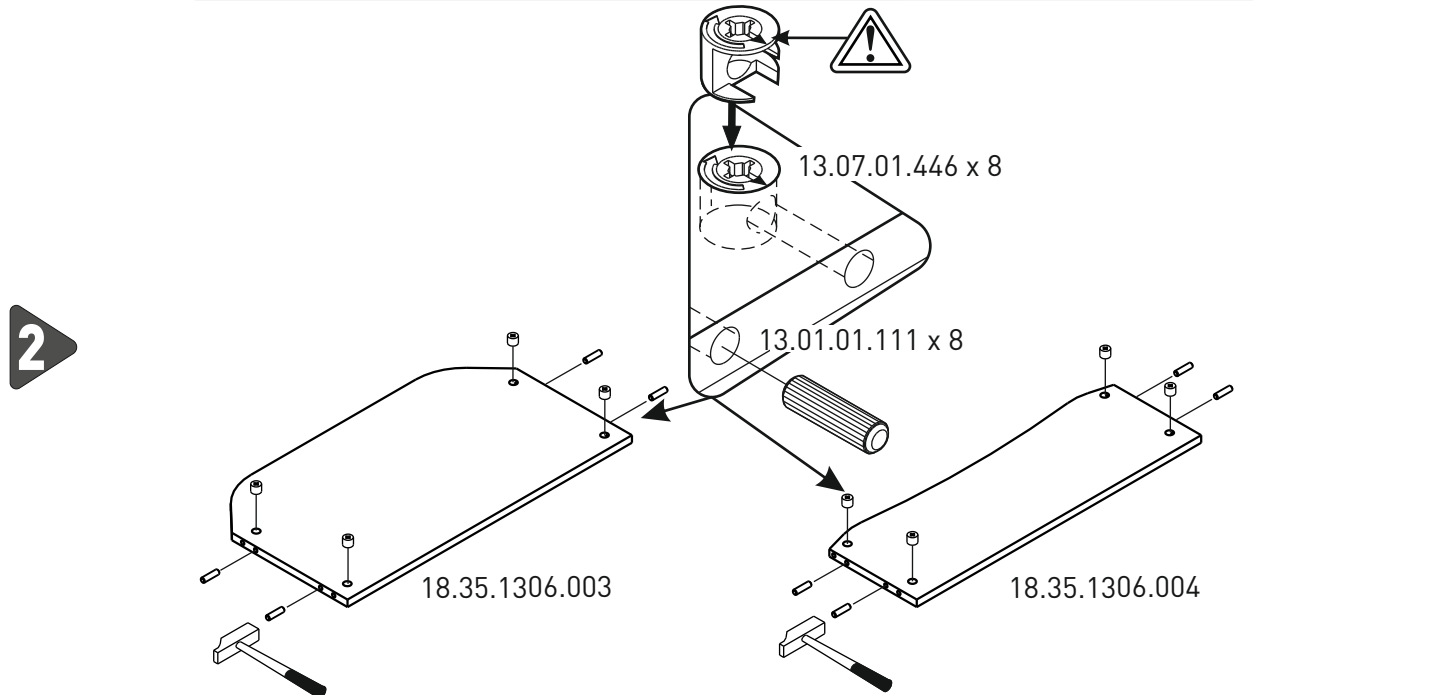
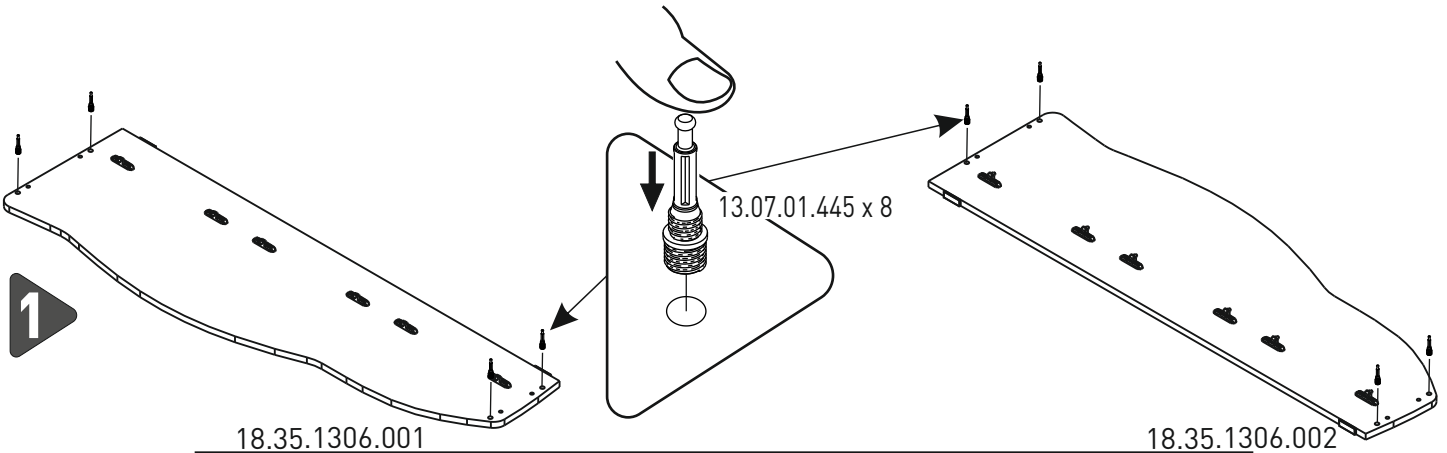
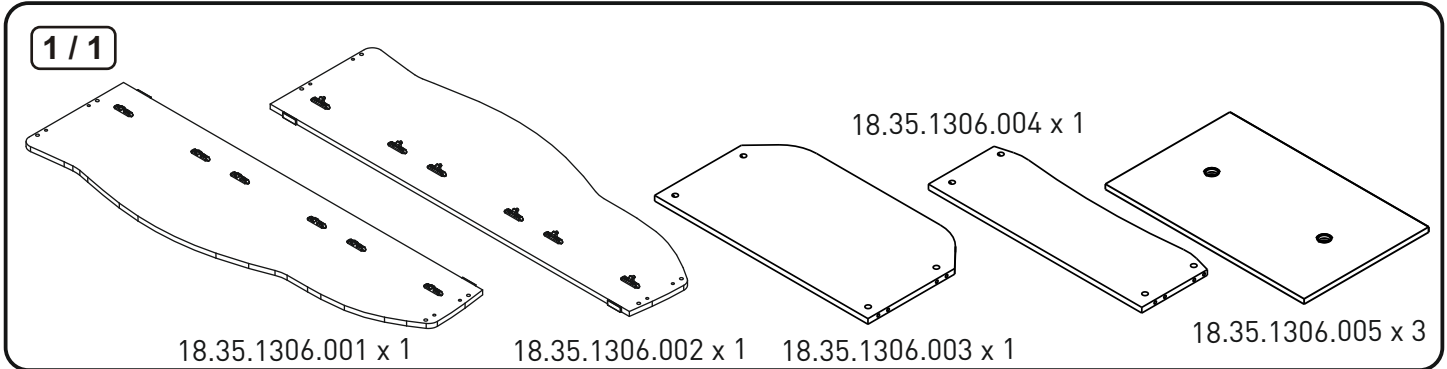
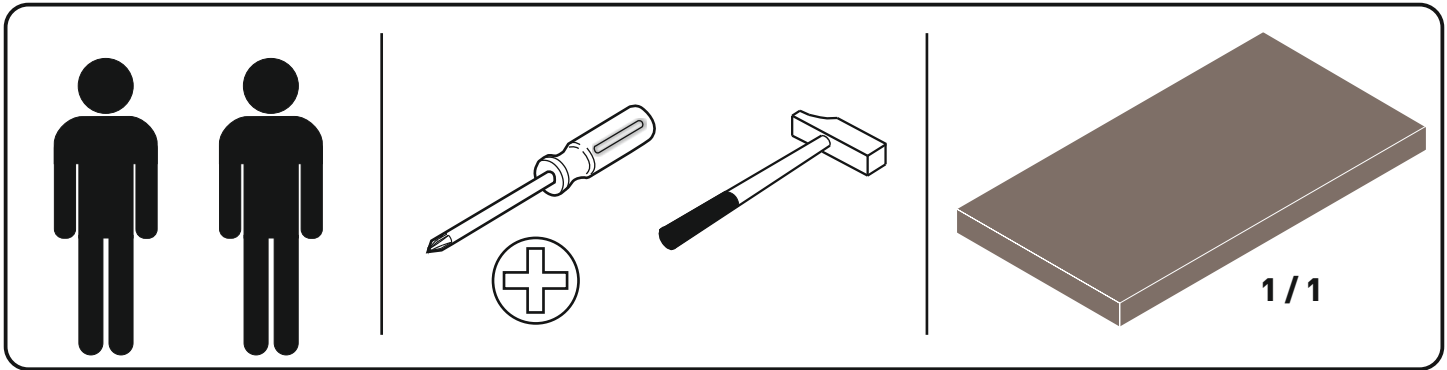
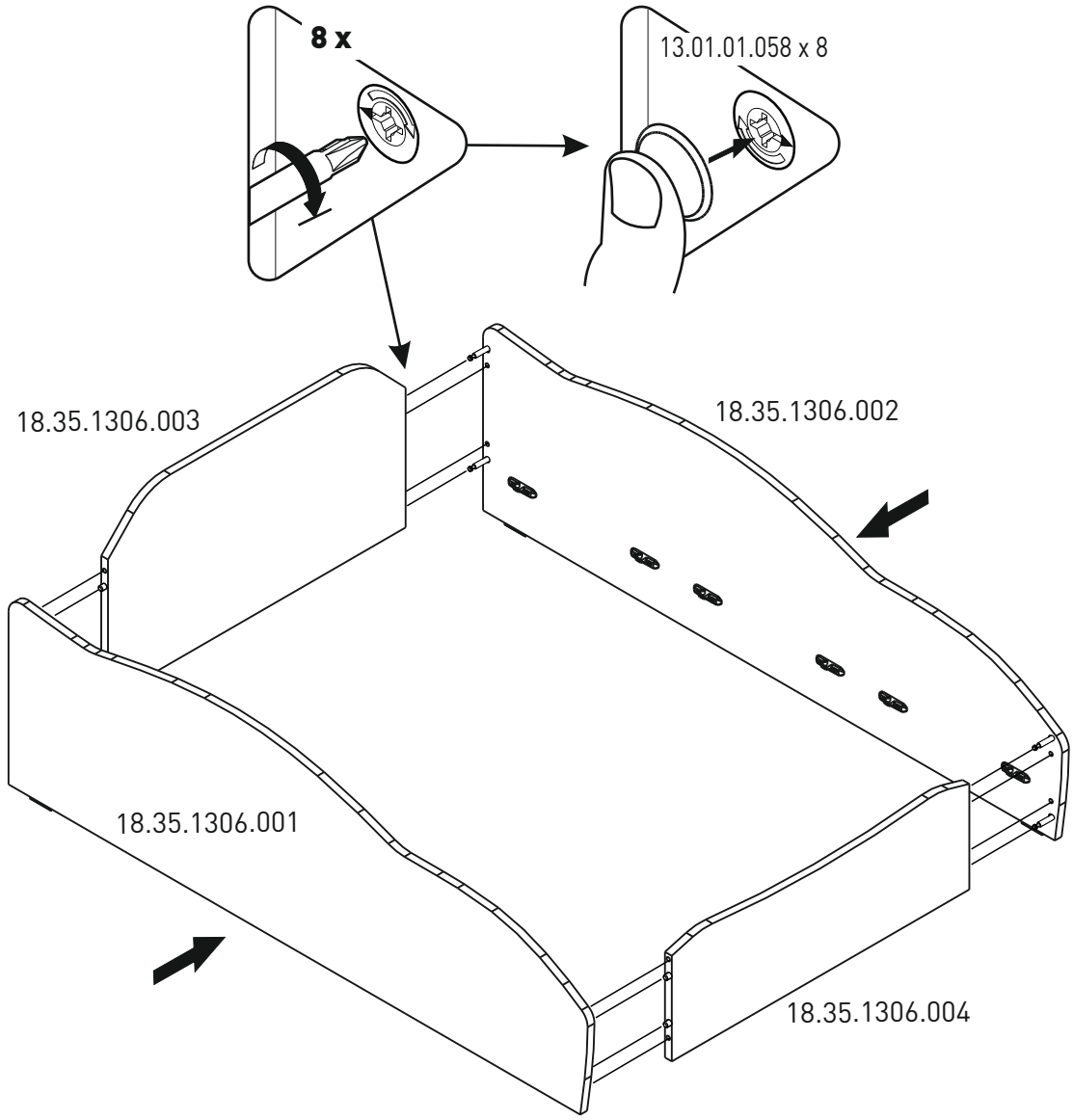


20.35.1306.00

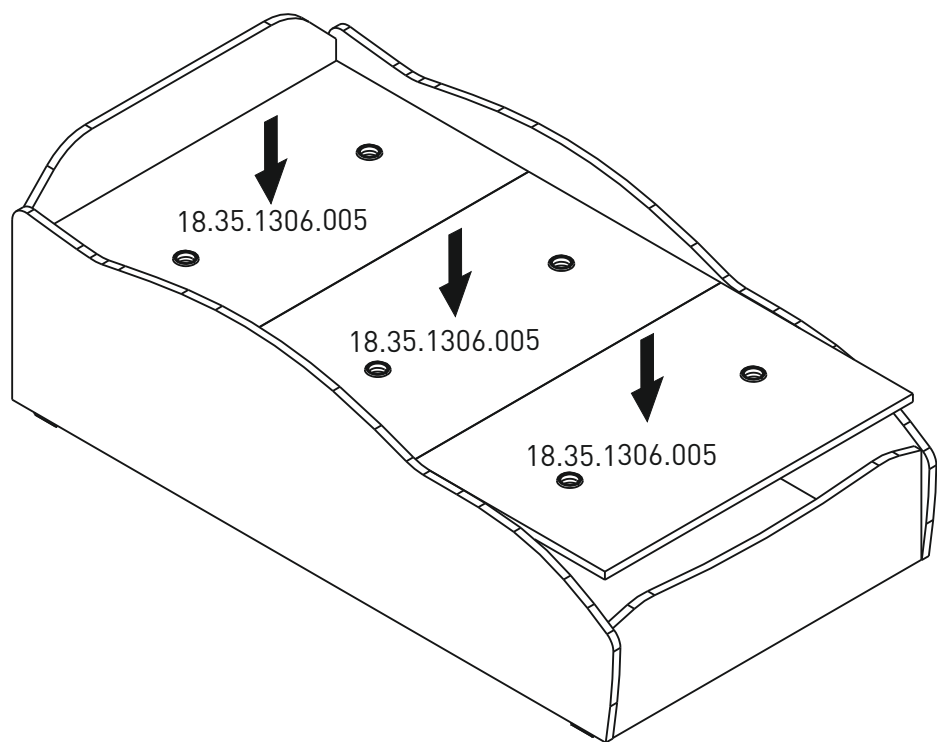




3



4



Consumer Information

WARNING ENTRAPMENT STRANGULATION HAZARD

Infants have died in **TODDLER BEDS** from entrapment and strangulation.

Failure to follow these warnings and the assembly instructions could result in serious injury or death.

NEVER place bed near windows where cords from blinds or drapes may strangle a child.

DO NOT place items with a string, cord, or ribbon around a child's neck, such as hood strings or pacifier cords.

DO NOT suspend strings over a toddler bed for any reason, or attach strings on toys.

Guardrails are used as a mattress containment means. Guardrails provided must be used to avoid the formation of a gap between the mattress and the bed that could cause entrapment.

Toddler bed must have more than 12 inches (31cm) of space between the toddler bed and solid objects such as a Wall or dresser. Child could slide into small space and suffocate.

DO NOT use a water mattress with this toddler bed.

WARNING:

DO NOT use for infants. This bed is not a substitute for a crib. The toddler bed is intended for a child between 15 months and 5 years of age. Maximum weight 50 pounds (22.7 kg). The mattress intended for use on the bed shall be a full-size crib mattress having minimum dimensions of 51 ⁵/₈ in. (1310mm) in length 27 ¹/₄ in. (690mm) in width and 4 in. (100 mm) thickness. Maximum recommended mattress thickness 5 ¹/₂ in. (150mm)

DO NOT use this bed without a mattress.

-This package contains small parts.

-Keep away from children during assembly.

-Adult assembly required.

-Screws left after assembly should be kept out of reach of children.

-Instructions are generic. Figures may vary.

Assembly

IMPORTANT! Before assembly or each use, inspect all parts for damaged hardware, loose joints, missing parts or sharp edges.

DO NOT use if any parts are missing or damaged.

Contact manufacturer for replacement parts and instructions if needed.

NEVER substitute parts.

BE SURE bed rails are secure. Bed rails must be attached to headboard on the inside of the post.

Care and Maintenance

Caring and Storing Your Product : When cleaning wood parts use soft cloth with fine furniture polish or mild soap. Never leave vaporizer near product, as moisture can damage bed. When storing product it must be in a dry environment between 40 degrees Fahrenheit to 95 Fahrenheit.

Manufactured By



Kursunlu Mahallesi Kursunlu Sanayi Caddesi No:10
Inegöl 16420, Bursa / TURKEY

Tel: +90 224 721 28 66

Customer Service

support@cilekkidsroom.com