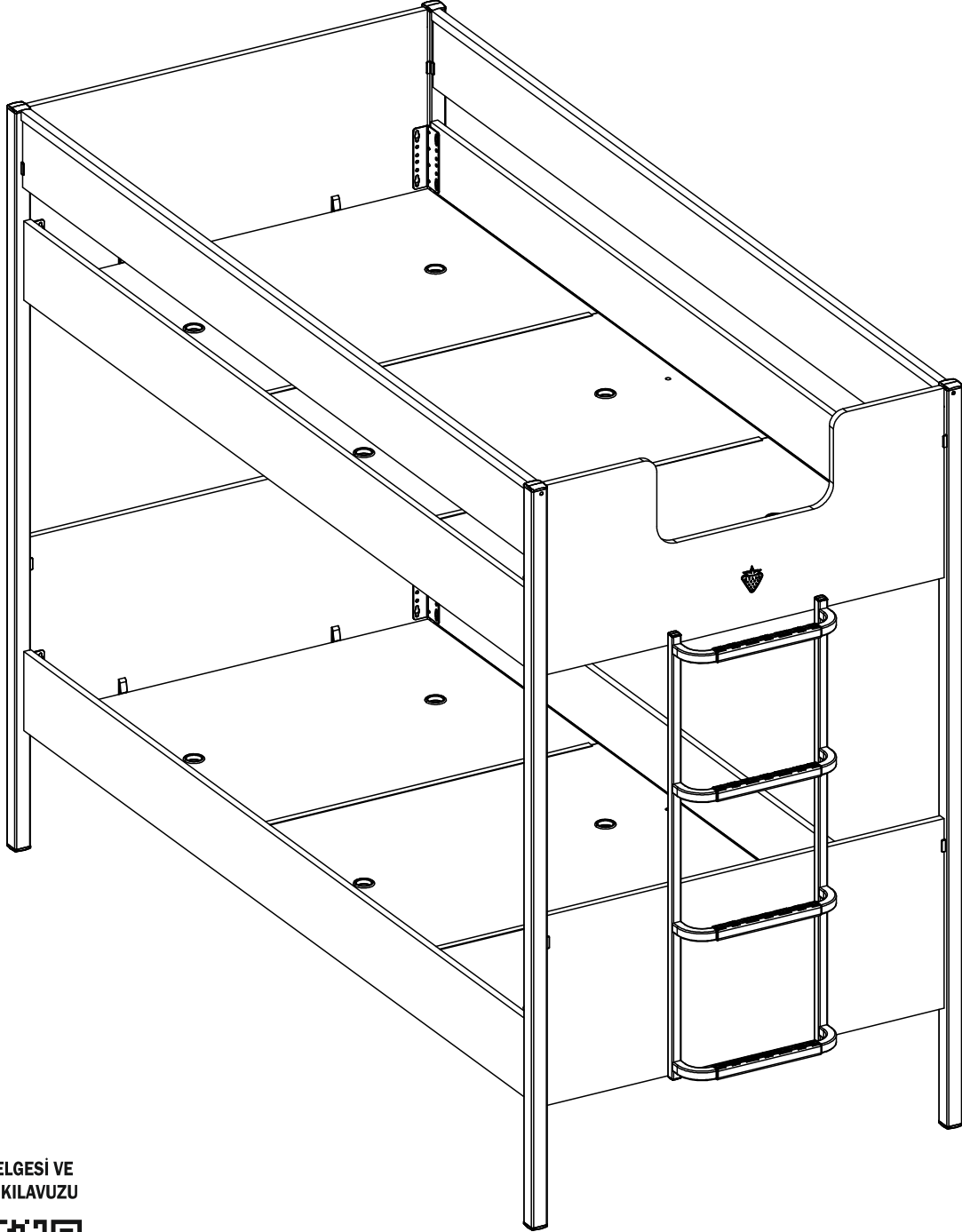


20.30.1412.00

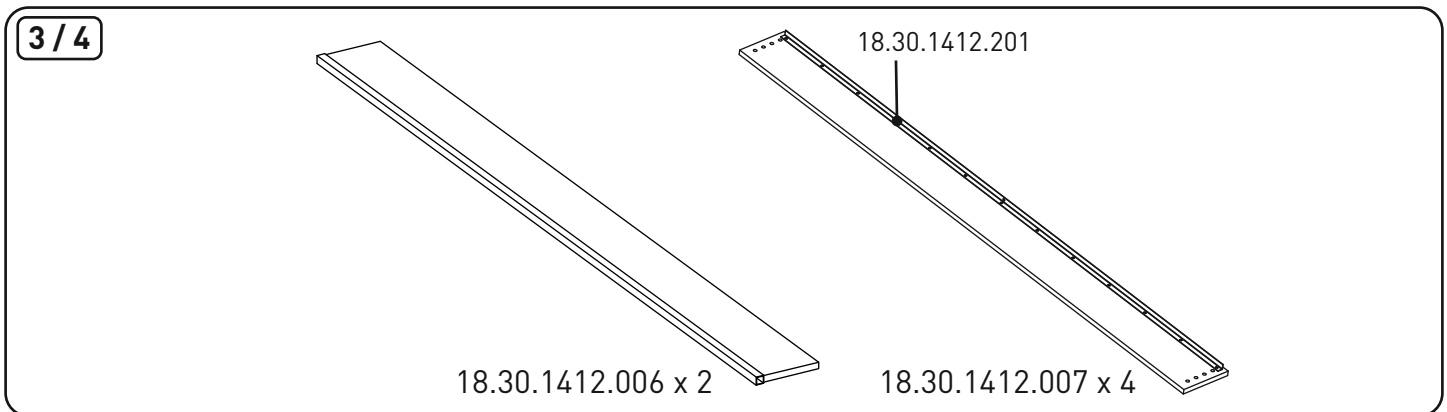
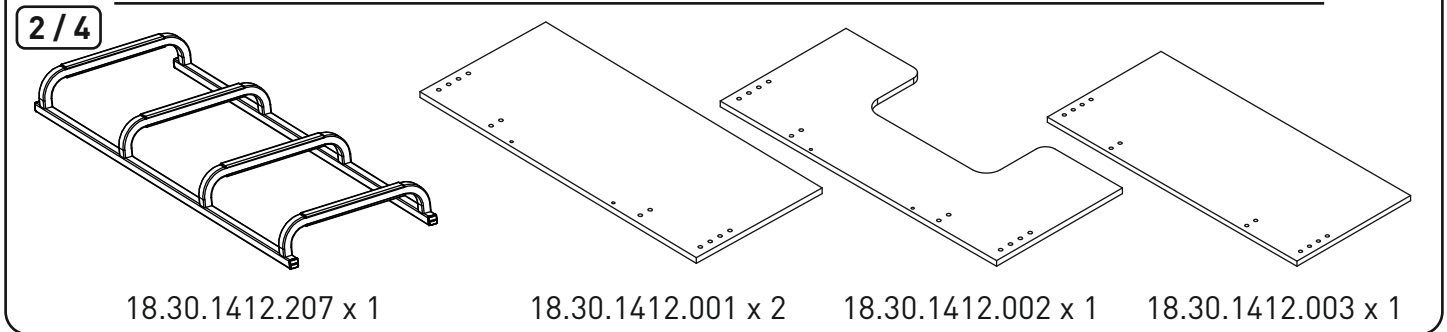
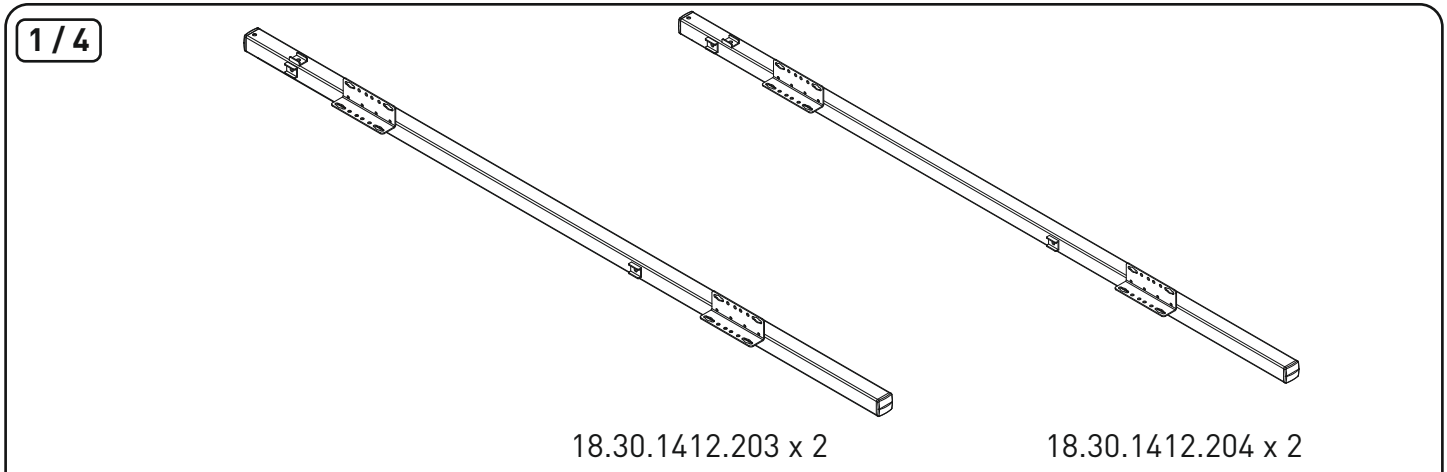
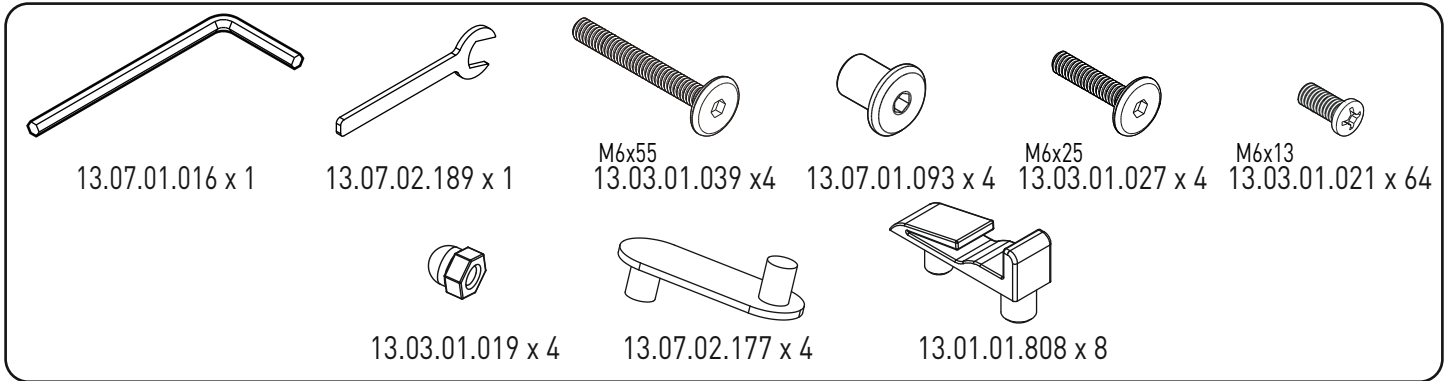
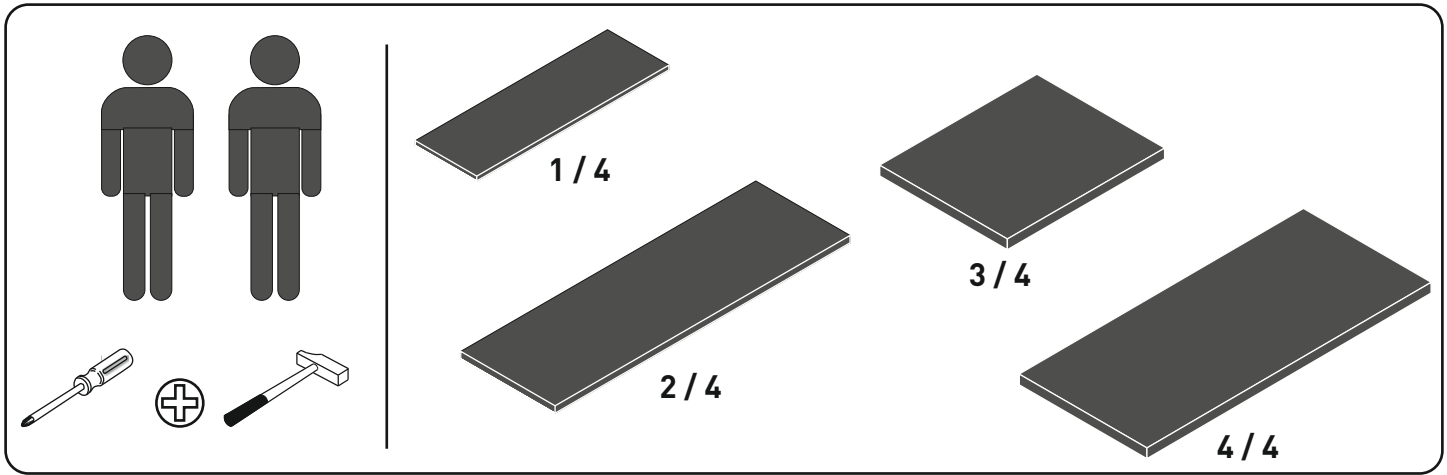


GARANTİ BELGESİ VE
KULLANMA KILAVUZU

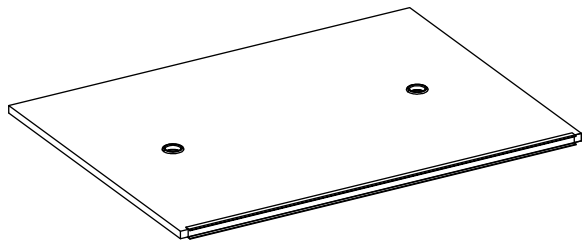


WARRANTY CERTIFICATE
AND USER MANUAL

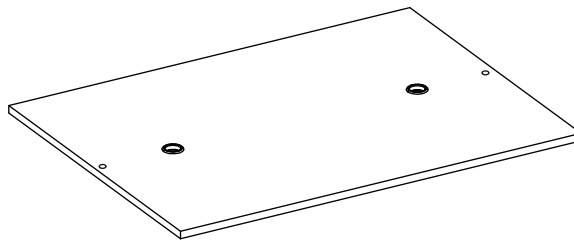




4/4

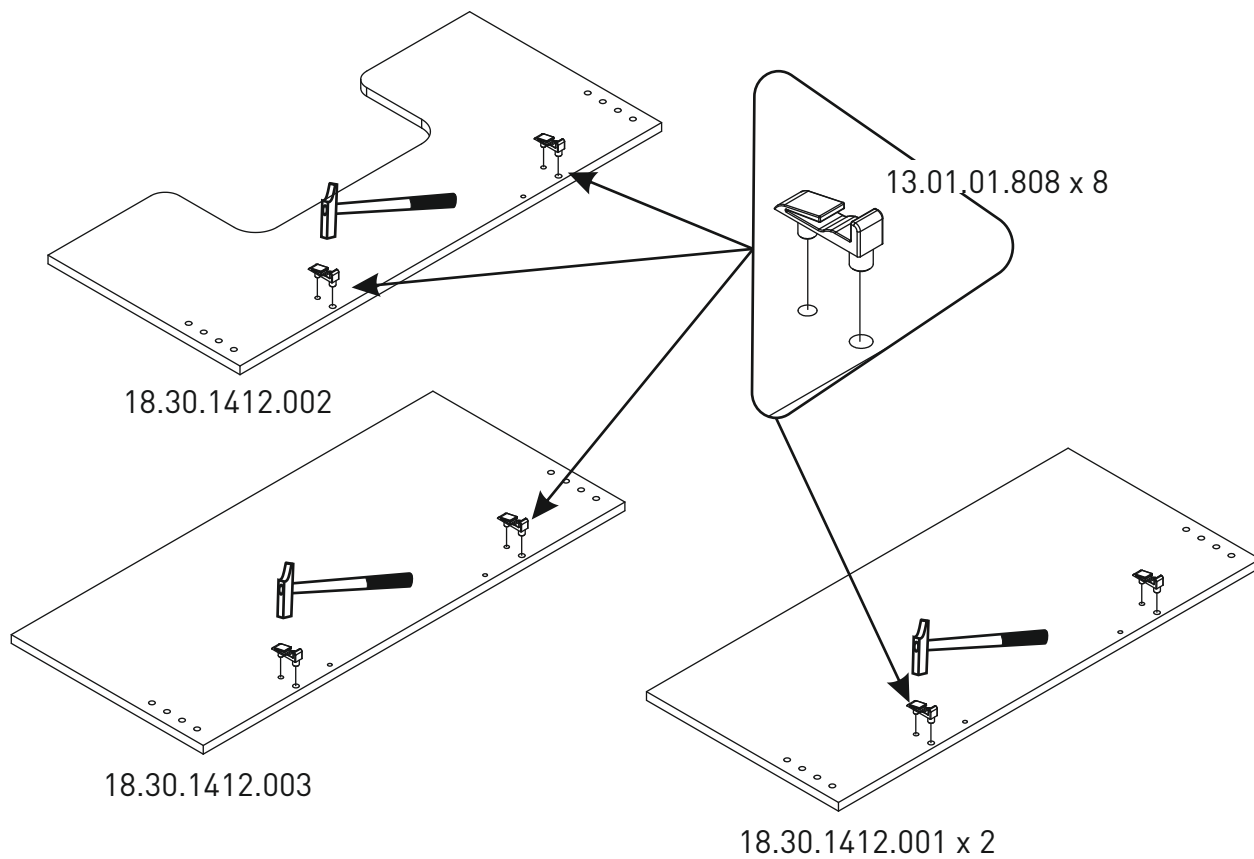


18.30.1412.004 x 4

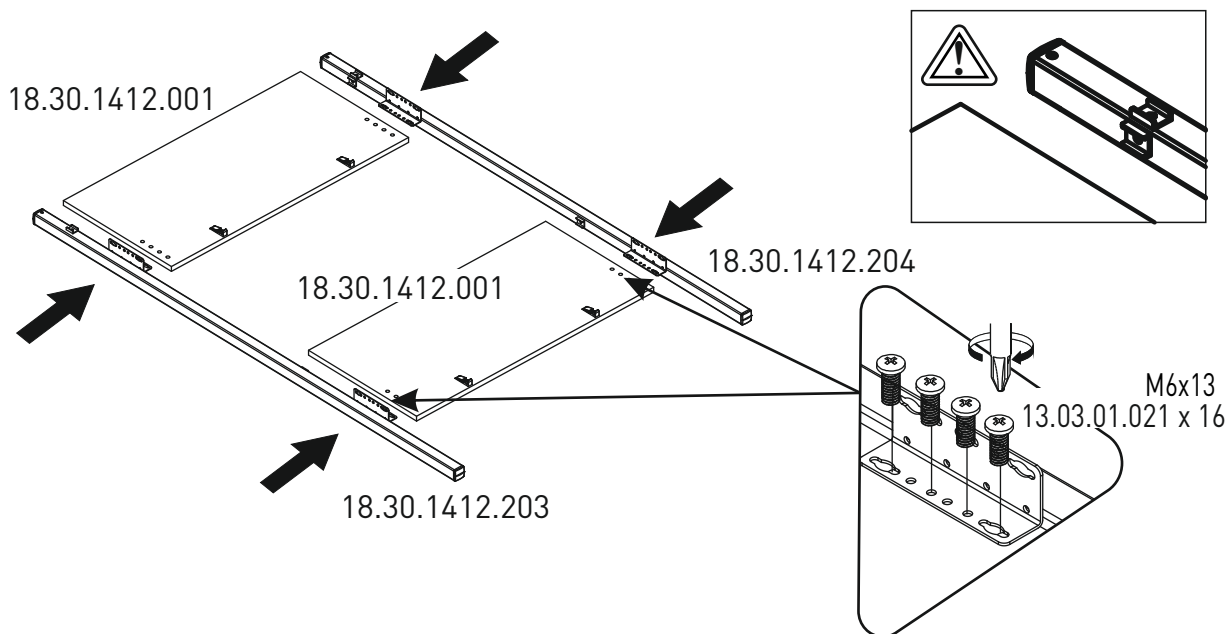


18.30.1412.005 x 2

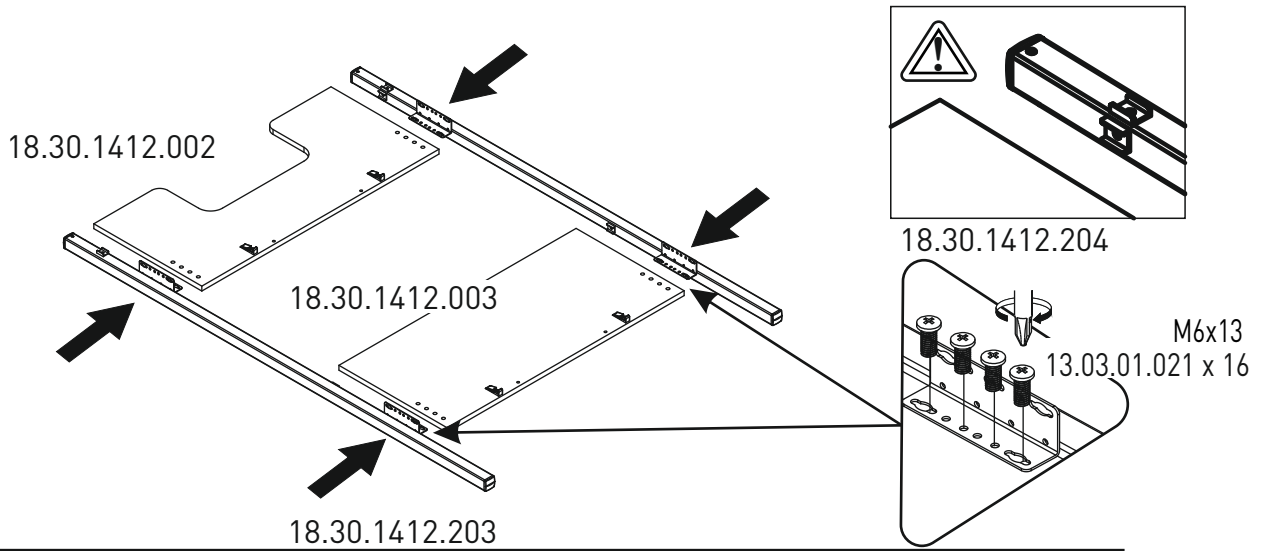
1



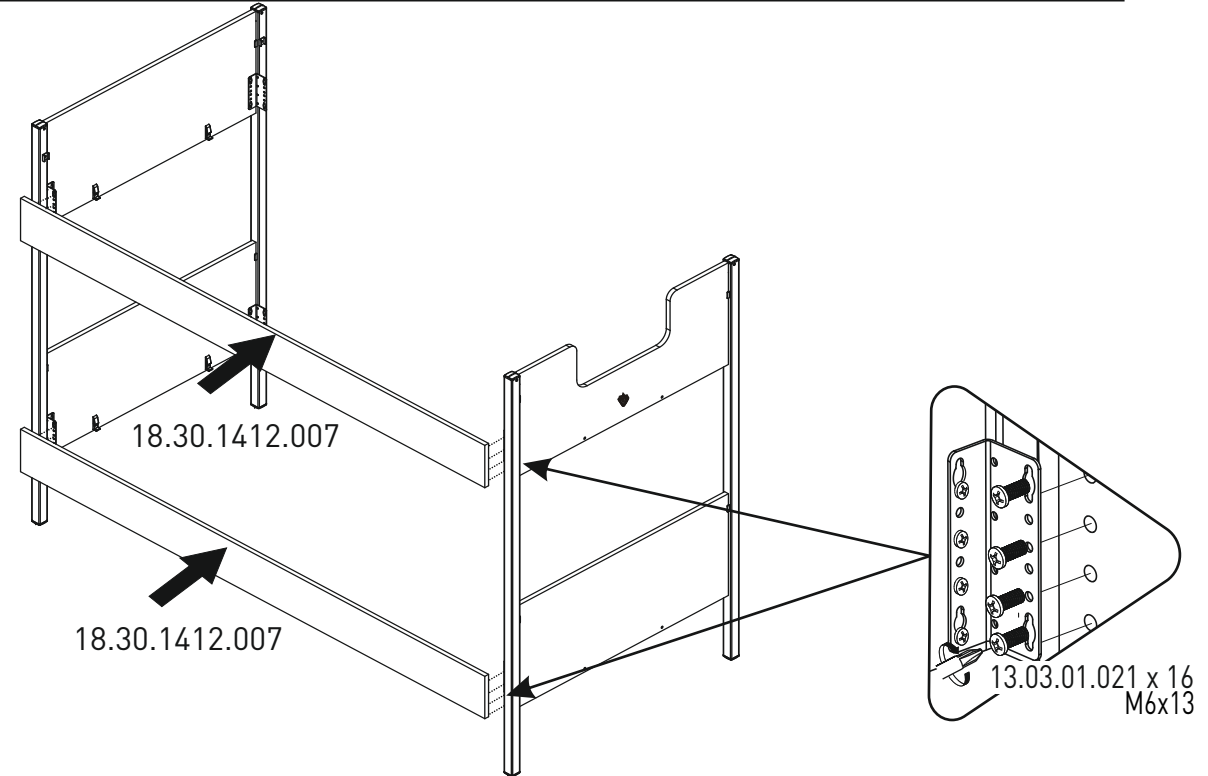
2



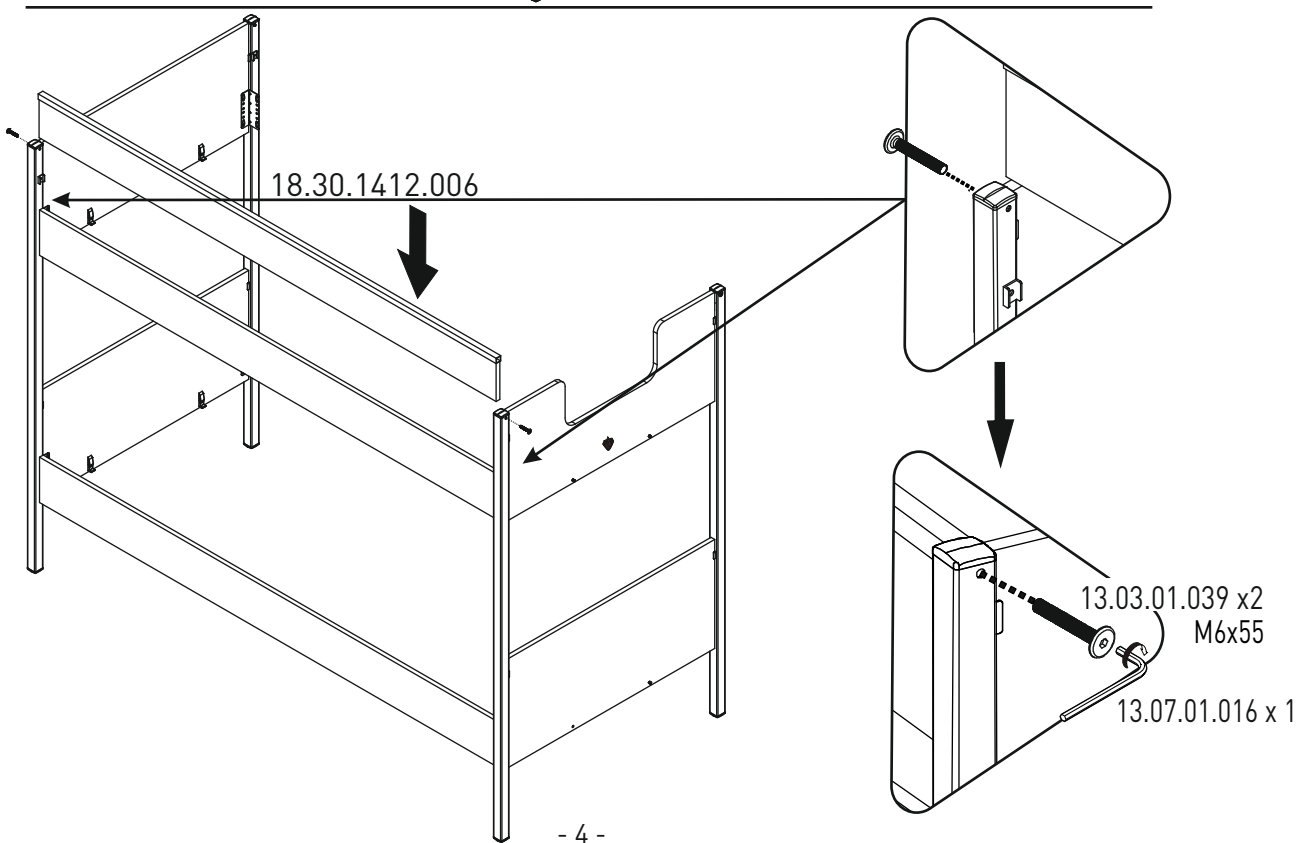
3



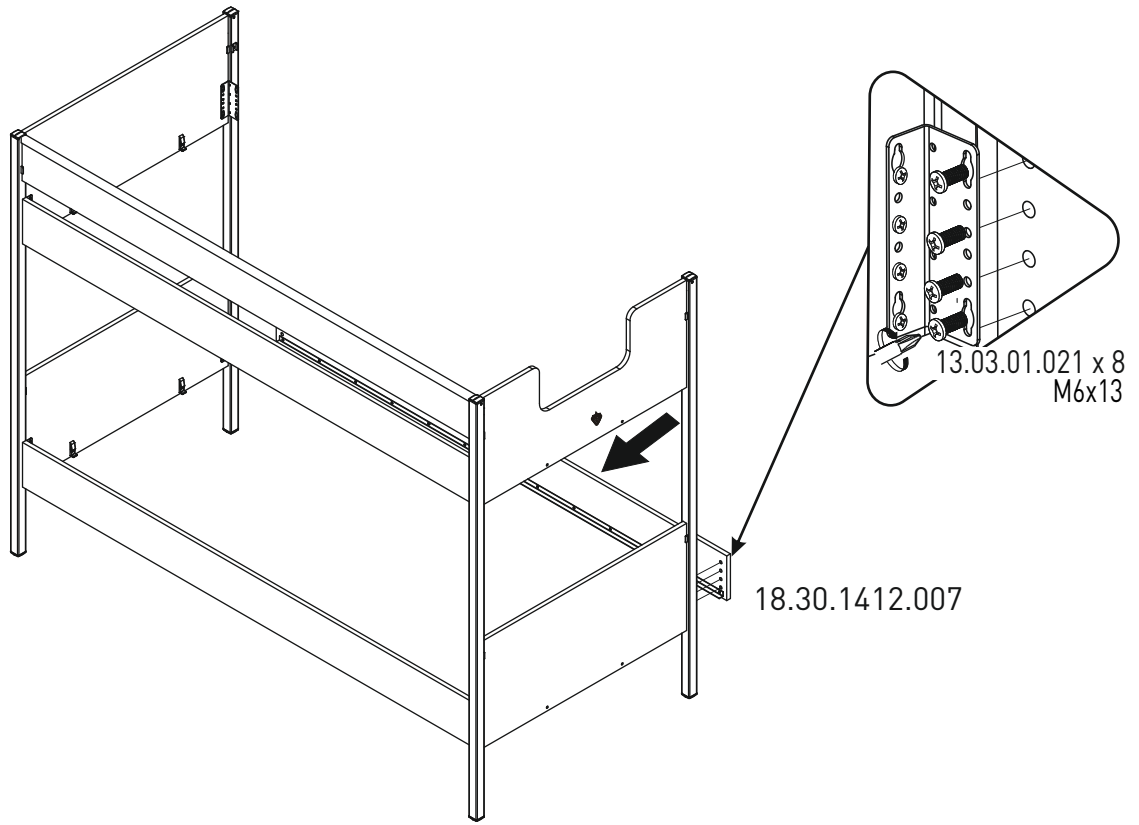
4



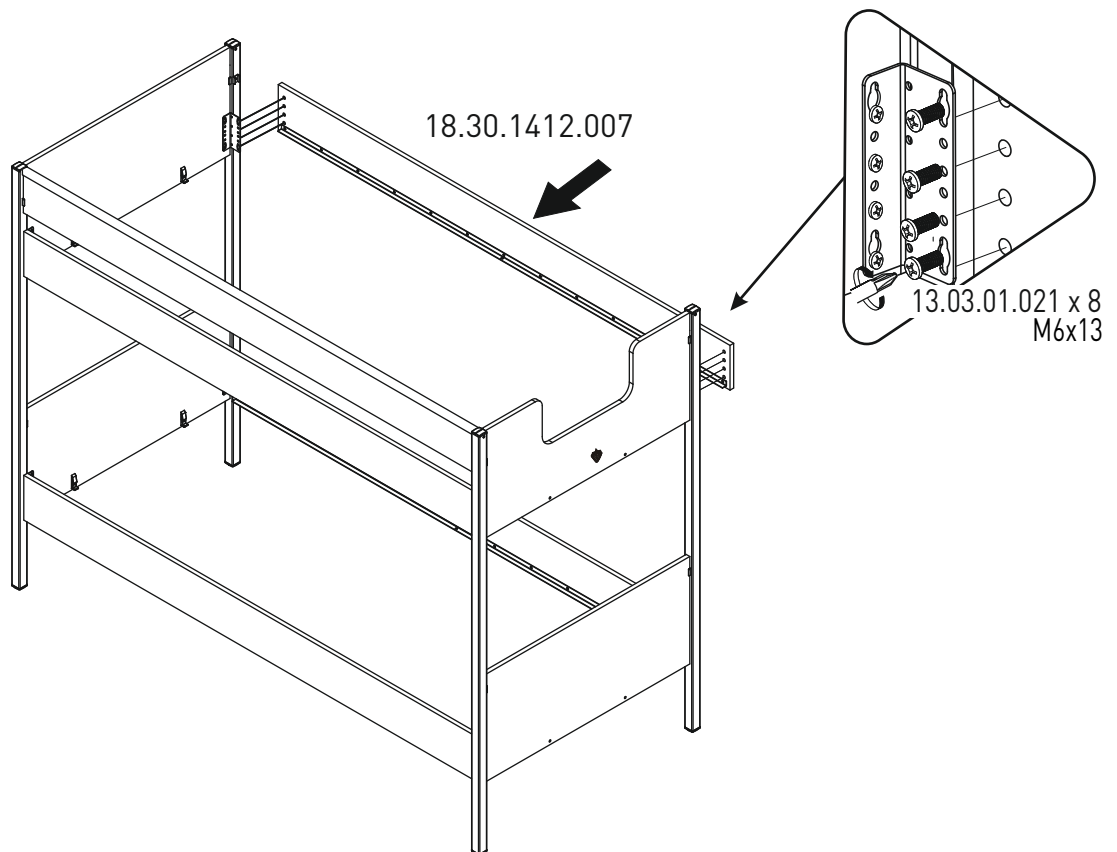
5



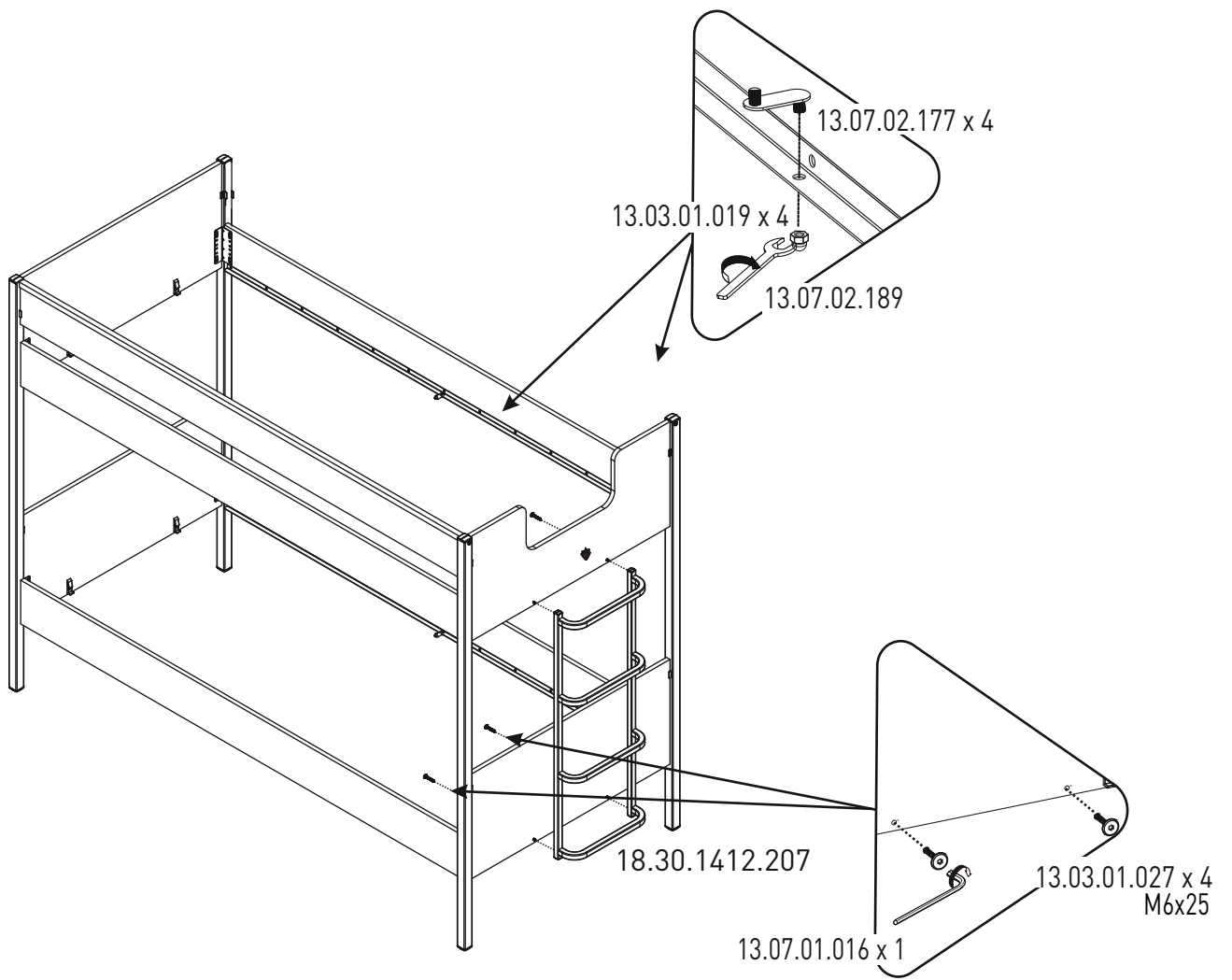
6



7



8



9

