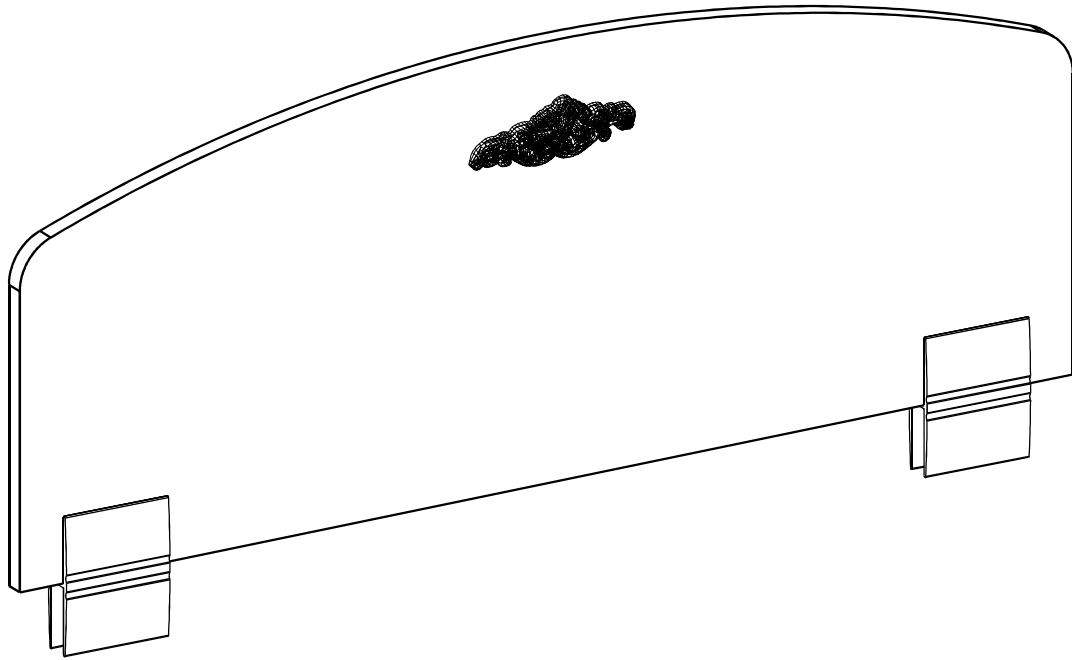
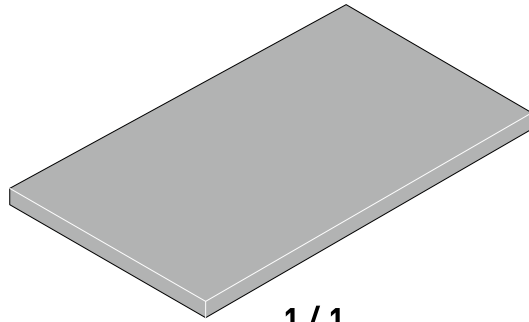
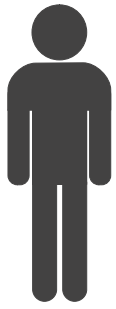


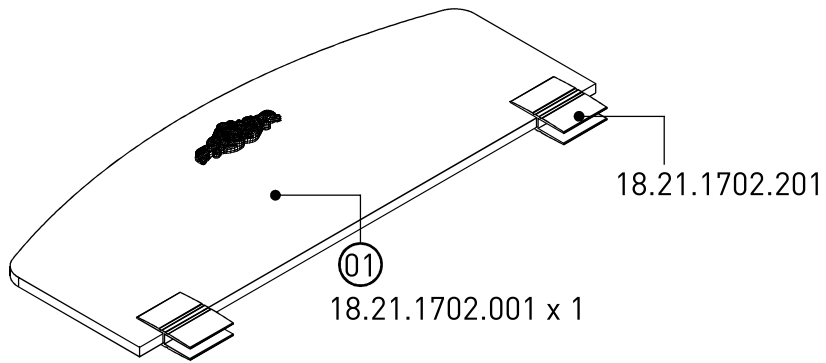
20.21.1702.00





1/1

1/1



18.21.1702.001 x 1

1

